

## FLT-190-JJ

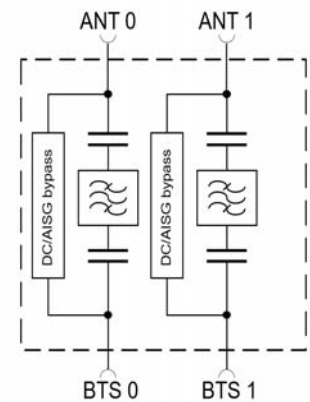
GSM900 with LTE850 Suppression | Band Pass Filter | Twin Unit

- GSM900 Band Pass Filter with LTE850 suppression
- With DC/AISG bypass configurations
- Suitable for indoor and outdoor applications
- Can be mounted on pole or wall

Electrical Characteristics		
Band Pass Frequency	897.2-960 MHz	
Stop Band Attenuation	869-879 MHz	> 55 dB
	879-885 MHz	> 30 dB
Insertion Loss	Maximum	< 0.4 dB
	Typical	0.25 dB
VSWR	< 1.25	
IM3 (2x43 dBm)	< -117 dBm	
Input Power	< 300 W	
DC/AISG Transparency	Bypass; 2500 mA (max)	
Environmental Characteristics		
Operating Temperature Range	-40° to +65° C (-40° to +149° F)	
Application	Indoor / Outdoor	
Ingress Protection	IP67	
Lightning Protection	10 kA 8/20 μs	
Mechanical Characteristics		
Connectors	7/16-DIN Female (Long Neck)	
Dimensions - without connectors or brackets (Length x Width x Depth)	262 x 138 x 150 mm	10.3 x 5.4 x 5.9 in
Weight	3.5 kg	7.7 lbs
Packing Dimensions (L x W x D)	440 x 300 x 260 mm	17.3 x 11.8 x 10.2 in
Mounting Characteristics		
Pole / Wall Bracket	Attach to pole diameter Ø40-Ø135 mm (Ø1.57-Ø5.3 in) or wall mount	

**NO  
IMAGE  
AVAILABLE**

**COMING  
SOON**



Quoted performance parameters are provided to offer typical, peak or range values only and may vary as a result of normal testing, manufacturing and operational conditions. Extreme operational conditions and/or stress on structural supports is beyond our control. Such conditions may result in damage to this product. Improvements to products may be made without notice.