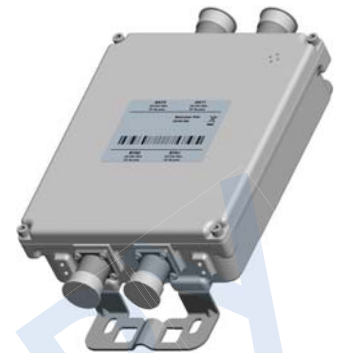


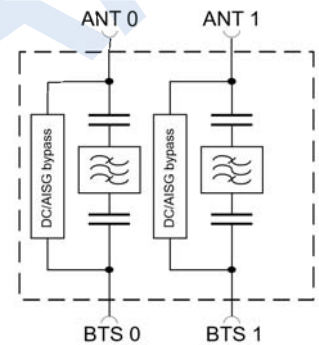
FLT-178-JJ

LTE850 with GSM Suppression | Band Pass Filter | Twin Unit

- LTE850 Band Pass Filter with GSM900 suppression
- With DC/AISG bypass configurations
- Suitable for indoor and outdoor applications
- Can be mounted on pole or wall



Electrical Characteristics	
Band Pass Frequency	824-894 MHz
Insertion Loss	< 0.45 dB (Typical 0.25 dB)
Stop Band Attenuation	> 60 dB at 907.5-960 MHz
VSWR	< 1.25 at 824-894 MHz
IM3 (2x43 dBm)	< -117 dBm
Input Power	< 200 Watts
DC/AISG Transparency	Bypass; 2500 mA (max)
Environmental Characteristics	
Operating Temperature Range	-40° to +65° C (-40° to +149° F)
Application	Indoor / Outdoor
Ingress Protection	IP67
Lightning Protection	10 kA 8/20 μs
Mechanical Characteristics	
Connectors	7/16-DIN Female (Long Neck)
Dimensions - without connectors or brackets (Length x Width x Depth)	270 x 220 x 63 mm 10.6 x 8.7 x 2.5 in
Weight	4.5 kg 9.9 lbs
Packing Dimensions (L x W x D)	452 x 313 x 210 mm 17.8 x 12.3 x 8.3 in
Mounting Characteristics	
Pole / Wall Bracket	Attach to pole diameter Ø40-Ø135 mm (Ø1.57-Ø5.3 in) or wall mount



Quoted performance parameters are provided to offer typical, peak or range values only and may vary as a result of normal testing, manufacturing and operational conditions. Extreme operational conditions and/or stress on structural supports is beyond our control. Such conditions may result in damage to this product. Improvements to products may be made without notice.