

DPX-51x

Diplexer | 1800-2100 / 2300-2700 | Single and Twin Unit | Indoor / Outdoor

- Usable at the BTS or antenna end
- Built in lightning protection on all ports
- Available as single or twin unit, with various DC/AISG bypass configurations
- Suitable for indoor or outdoor applications
- Pole or wall mounting
- Available with 7/16-DIN or 4.3/10 female connectors

Ordering Options	Single Unit		Twin Unit	
	7/16-DIN	4.3/10	7/16-DIN	4.3/10



When ordering replace "x" with correct option for bypass configuration and single or twin unit.

DC/AISG bypass from common to high band only	DPX-510	DPX-510-43F	DPX-511	DPX-511-43F
DC/AISG bypass from common to low band	DPX-514	DPX-514-43F	DPX-515	DPX-515-43F
Full DC/AISG bypass	DPX-512	DPX-512-43F	DPX-513	DPX-513-43F
No DC/AISG bypass	DPX-516	DPX-516-43F	DPX-517	DPX-517-43F

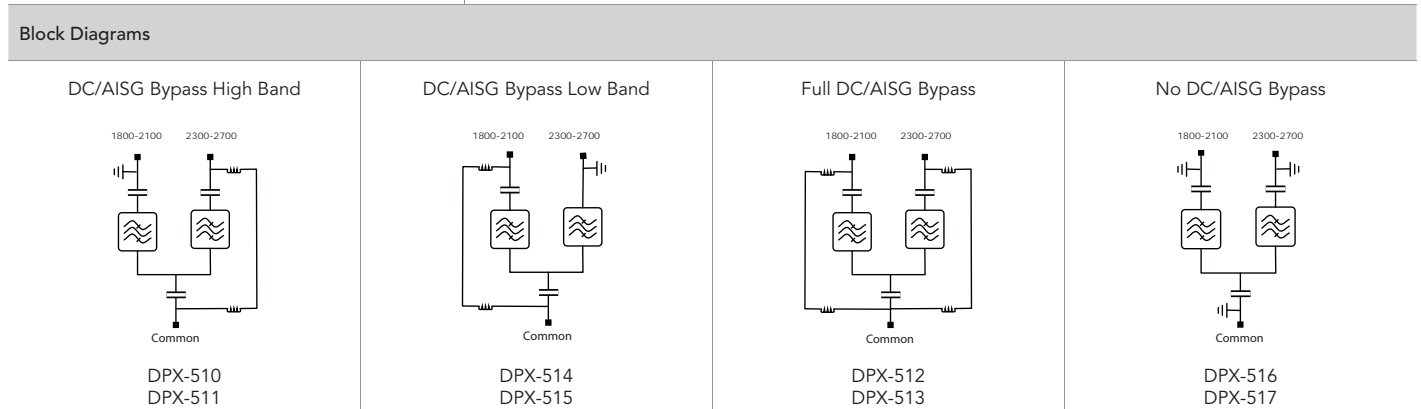
Electrical Characteristics	
Low Band Channel	
Frequency Band	1695-2200 MHz
Insertion Loss (typical)	< 0.2 dB
Return Loss	> 18 dB
Rejection (High Band)	50 dB
Continuous Average Power	250 W
Intermodulation, 2x43 dBm TX Carrier, IM3	-117 dBm
2100 Channel (High Band)	
Frequency Band	2300-2700 MHz
Insertion Loss (typical)	< 0.2 dB
Return Loss	> 18 dB
Rejection (Low Band)	50 dB
Continuous Average Power	250 W
Intermodulation, 2x43 dBm TX Carrier, IM3	-117 dBm
General Electrical	
	Standard Models
DC Bypass Rating	3 A
AISG Pass	Yes
Lightning Protection	10 kA 8/20 μ s

Quoted performance parameters are provided to offer typical or range values only and may vary as a result of normal manufacturing and operational conditions. Extreme operational conditions and/or stress on structural supports is beyond our control. Such conditions may result in damage to this product. Improvements to product may be made without notice.

DPX-51x

Diplexer | 1800-2100 / 2300-2700 | Single and Twin Units | Indoor / Outdoor

Environmental			
Temperature Range		-40° to +60° C (-40° to 140° F)	
Ingress Protection		IP67	
Operation Compliance		ETS 300 019-1-4 Class 4.1E	
Storage Compliance		ETS 300 019-1-1 Class 1.2	
Mechanical Characteristics		Single Unit	Twin Unit
Finish		Light Grey (NCS 1502-R)	
Connectors	ANT	(2x) 7/16 Female or 4.3/10 Female	(4x) 7/16 Female or 4.3/10 Female
	BTS	(4x) 7/16 Female or 4.3/10 Female	(8x) 7/16 Female or 4.3/10 Female
Dimensions - (H x W x D)		110 x 239 x 48.5 mm (4.3 x 9.4 x 1.9 in)	110 x 239 x 89 mm (4.3 x 9.4 x 3.5 in)
Weight		2.8 kg (6.2 lbs)	4.1 kg (9.0 lbs)
Shipping Dimensions - (L x W x D)		215 x 275 x 110 mm (8.5 x 10.8 x 4.3 in)	---
Mounting Options		Description	
Pole / Wall Bracket		Two metal clamps for pole mount included (support pole diameter Ø40-Ø140 mm)	

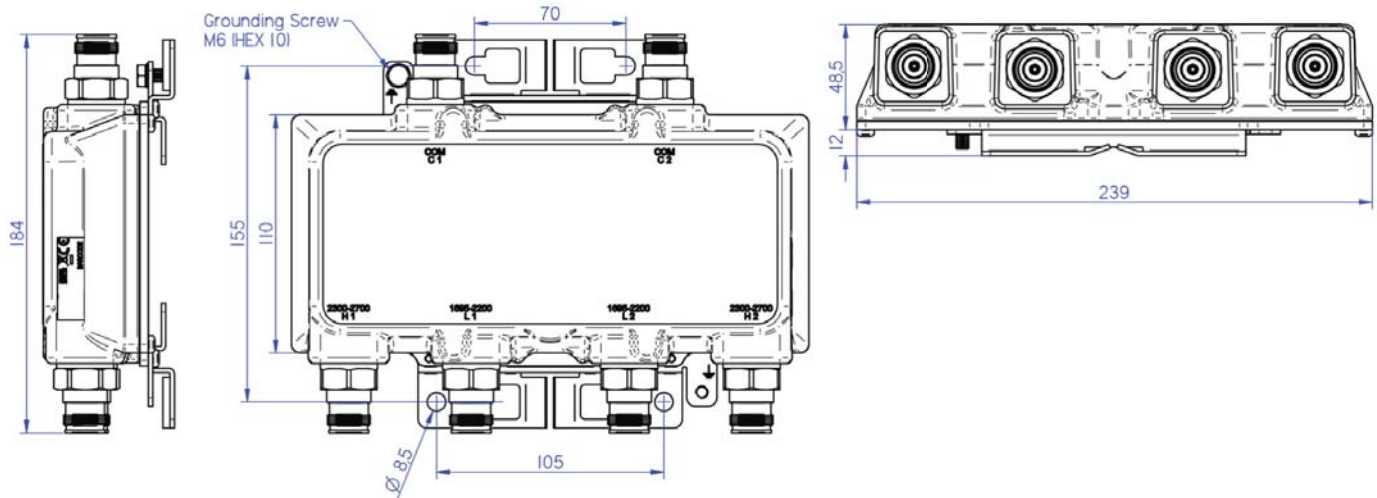


Quoted performance parameters are provided to offer typical or range values only and may vary as a result of normal manufacturing and operational conditions. Extreme operational conditions and/or stress on structural supports is beyond our control. Such conditions may result in damage to this product. Improvements to product may be made without notice.

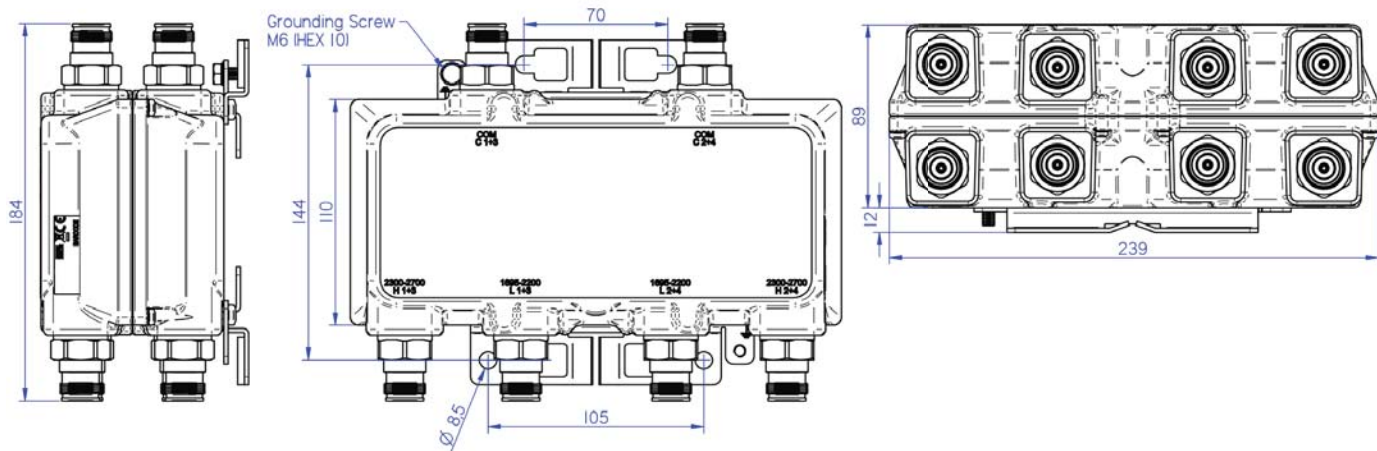
DPX-51x

Diplexer | 1800-2100 / 2300-2700 | Single and Twin Units | Indoor / Outdoor

Dimensions - Single Unit with 4.3/10 Connectors



Dimensions - Twin Unit with 4.3/10 Connectors



Quoted performance parameters are provided to offer typical or range values only and may vary as a result of normal manufacturing and operational conditions. Extreme operational conditions and/or stress on structural supports is beyond our control. Such conditions may result in damage to this product. Improvements to product may be made without notice.