

## DPX-24x

Diplexer | 700/850+900 | Single and Twin Units | Indoor / Outdoor

- Combines the 700 and 850+900 bands into a single output
- Usable at the BTS or antenna end
- Built in lightning protection on all ports
- Available as single or twin unit, with various DC/AISG bypass configurations
- Suitable for indoor or outdoor applications
- Pole or wall mounting

Ordering Options	Single Unit		Twin Unit	
	7/16-DIN Female Connectors	4.3-10 Female Connectors	7/16-DIN Female Connectors	4.3-10 Female Connectors

When ordering replace "x" with correct option for bypass configuration and single or twin unit.

With DC/AISG Auto-Sense	DPX-24A	DPX-24A-43F	DPX-24AA	DPX-24AA-43F
DC/AISG bypass 700 low band	DPX-246	DPX-246-43F	DPX-247	DPX-247-43F
DC/AISG bypass 850+900 high band	DPX-244	DPX-244-43F	DPX-245	DPX-245-43F
Full DC/AISG bypass	DPX-242	DPX-242-43F	DPX-243	DPX-243-43F
No DC/AISG bypass (all ports DC grounded)	DPX-240	DPX-240-43F	DPX-241	DPX-241-43F

### Electrical Characteristics

#### 700 Channel (Low Band)

Frequency Band	698-806 MHz
Insertion Loss (typical)	< 0.35 dB
Return Loss	> 18 dB
Rejection, 824-960 MHz	> 50 dB
Continuous Average Power	250 W
Intermodulation, 2x43 dBm TX Carrier	-117 dBm

#### 850+900 Channel (High Band)

Frequency Band	824-960 MHz
Insertion Loss (typical)	< 0.35 dB
Return Loss	> 18 dB
Rejection, 698-806 MHz	> 50 dB
Continuous Average Power	250 W
Intermodulation, 2x43 dBm TX Carrier	-117 dBm

### General

DC Bypass Rating	3 A
DC/AISG Pass	Yes, ports that do not bypass DC/AISG are DC grounded

### Environmental

Temperature Range	-40° to +65° C	-40° to +149° F
Ingress Protection	IP67	
Lightning Protection	5 kA 8/20 μs	
Operation Compliance	ETS 300 019-1-4, Class 4.1 E	
Storage Compliance	ETS 300 019-1-1, Class 1.2	



Quoted performance parameters are provided to offer typical or range values only and may vary as a result of normal manufacturing and operational conditions. Extreme operational conditions and/or stress on structural supports is beyond our control. Such conditions may result in damage to this product. Improvements to product may be made without notice.

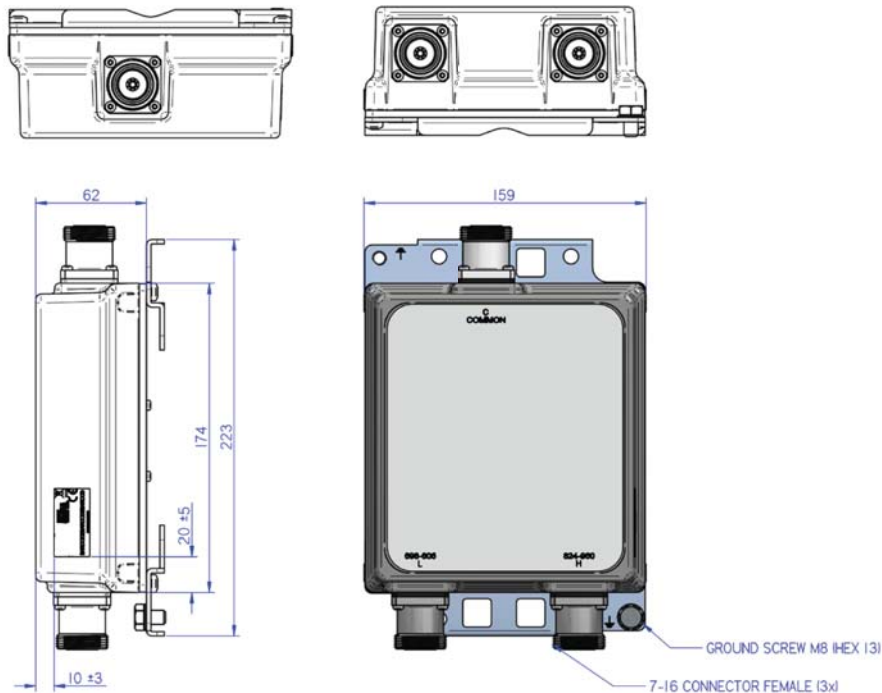
## DPX-24x

Diplexer | 700/850+900 | Single and Twin Units | Indoor / Outdoor

Mechanical Characteristics	Single Unit	Twin Unit
Finish	Light Grey, NCS 1502-R	
Connectors	7/16 Female or 4.3-10 Female	
Dimensions (H x W x D)	174 x 159 x 62 mm (7.7 x 6.7 x 3.2 in)	174 x 159 x 131 mm (7.7 x 6.7 x 5.2 in)
Weight	2.6 kg (5.7 lbs)	5.0 kg (11.0 lbs)
Mounting Options	Description	
Pole / Wall Bracket	Two metal clamps for pole mount included	

Block Diagrams			
<p>DC/AISG Bypass High Band</p> <p>DPX-240 DPX-241</p>	<p>DC/AISG Bypass Low Band</p> <p>DPX-242 DPX-243</p>	<p>Full DC/AISG Bypass</p> <p>DPX-244 DPX-245</p>	<p>No DC/AISG Bypass</p> <p>DPX-246 DPX-247</p>

### Dimensions - Standard Single Unit with 7/16-DIN Connectors

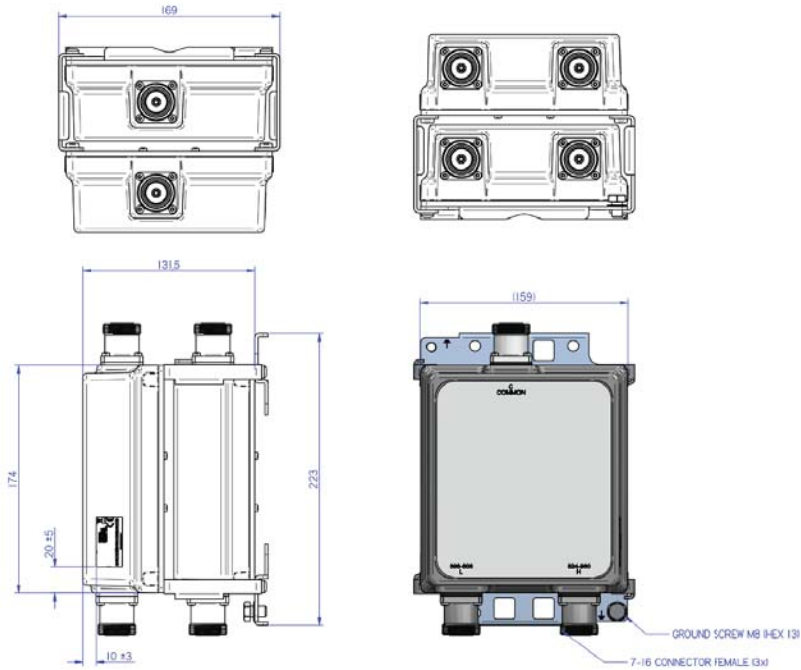


Quoted performance parameters are provided to offer typical or range values only and may vary as a result of normal manufacturing and operational conditions. Extreme operational conditions and/or stress on structural supports is beyond our control. Such conditions may result in damage to this product. Improvements to product may be made without notice.

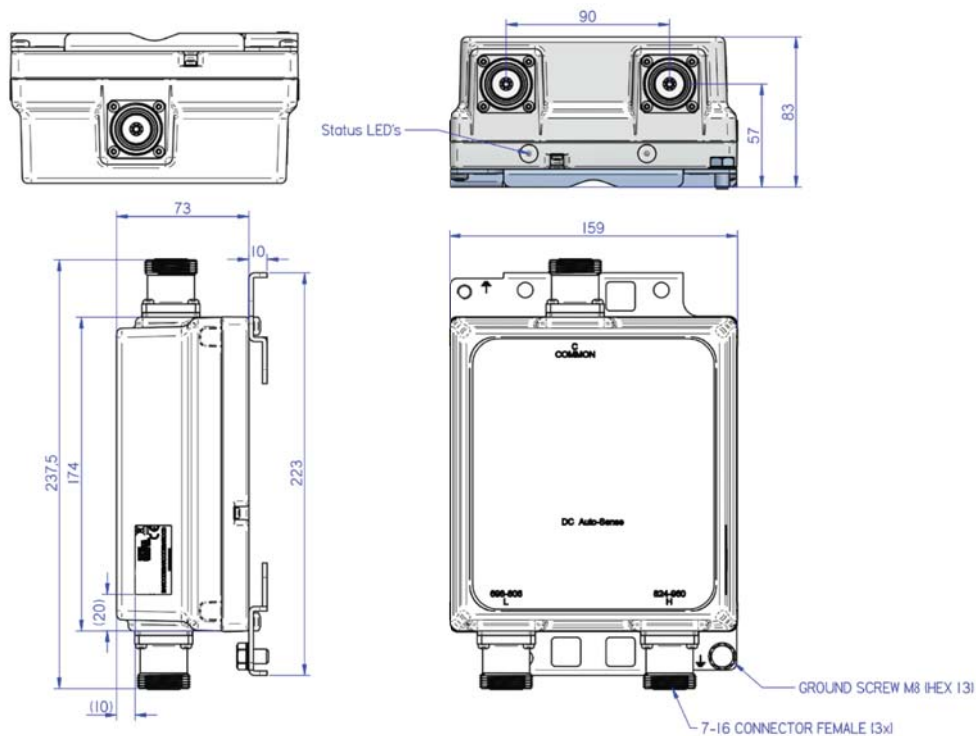
DPX-24x

Diplexer | 700/850+900 | Single and Twin Units | Indoor / Outdoor

Dimensions - Standard Twin Unit with 7/16-DIN Connectors



Dimensions - Single Unit with Auto-Sense and 7/16-DIN Connectors



Quoted performance parameters are provided to offer typical or range values only and may vary as a result of normal manufacturing and operational conditions. Extreme operational conditions and/or stress on structural supports is beyond our control. Such conditions may result in damage to this product. Improvements to product may be made without notice.