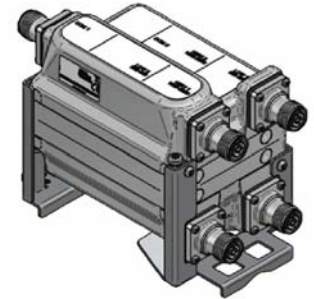


DPX-19x

Diplexer | 555-960 MHz/1695-2690 MHz | Single and Twin Units | Indoor / Outdoor

- Combines the 555-960 MHz and 1695-2690 MHz bands into a single output
- Usable at the BTS or antenna end
- Built in lightning protection on all ports
- Available as single or twin unit, with Auto-Sense or various DC/AISG bypass configurations
- Suitable for indoor or outdoor applications
- Pole or wall mounting
- Available with 7/16-DIN or 4.3-10 female connectors



Ordering Options	Single Unit		Twin Unit	
	7/16-DIN	4.3-10	7/16-DIN	4.3-10

When ordering replace "x" with correct option for bypass configuration and single or twin unit.

With DC/AISG Auto-Sense	DPX-19A	DPX-19A-43F	DPX-19AA	DPX-19AA-43F
DC/AISG bypass from common to high band only	DPX-194	DPX-194-43F	DPX-195	DPX-195-43F
DC/AISG bypass from common to low band	DPX-196	DPX-196-43F	DPX-197	DPX-197-43F
Full DC/AISG bypass	DPX-192	DPX-192-43F	DPX-193	DPX-193-43F
No DC/AISG bypass	DPX-190	DPX-190-43F	DPX-191	DPX-191-43F

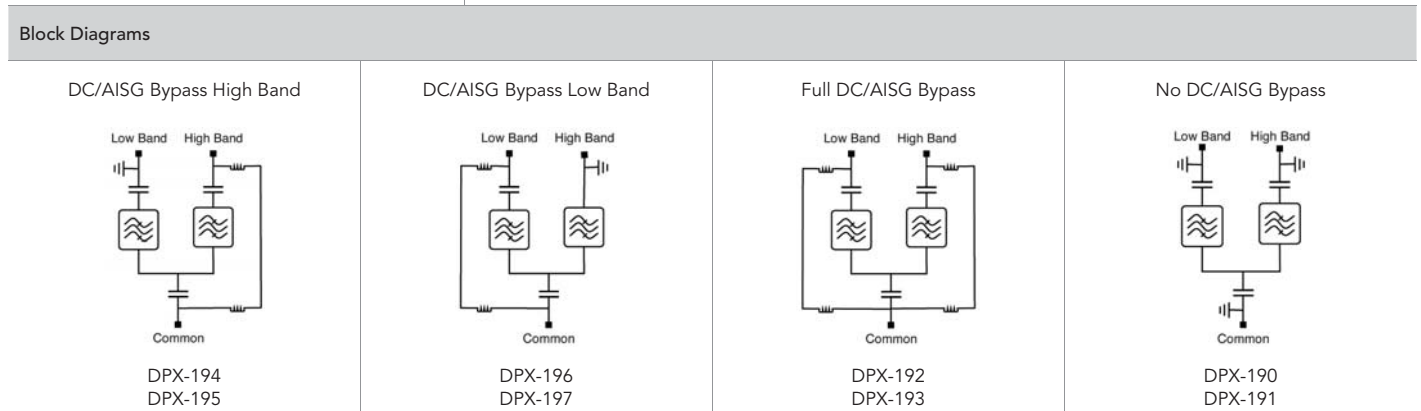
Electrical Characteristics		
555-960 MHz Channel (Low Band)		
Frequency Band	555-960 MHz	
Insertion Loss (typical)	< 0.1 dB	
Return Loss	> 20 dB	
Rejection (High Band)	50 dB	
Continuous Average Power	250 W	
Peak Power	2000 W	
Intermodulation, 2x43 dBm TX Carrier, IM3	-117 dBm	
1695-2690 MHz Channel (High Band)		
Frequency Band	1695-2690 MHz	
Insertion Loss (typical)	< 0.1 dB	
Return Loss	> 20 dB	
Rejection (Low Band)	50 dB	
Continuous Average Power	250 W	
Peak Power	2000 W	
Intermodulation, 2x43 dBm TX Carrier, IM3	-117 dBm	
General Electrical	Standard Models	Models with Auto-Sense
DC Bypass Rating	3 A	2 A, drop max 2.4 V
AISG Pass	Yes	---
AISG RL	---	> 12 dB
AISG Loss	---	< 1 dB
Lightning Protection	±5kA 8/20 µs	±5kA 8/20 µs
Input Voltage Power	---	8-30 V max 0.3 W

Quoted performance parameters are provided to offer typical or range values only and may vary as a result of normal manufacturing and operational conditions. Extreme operational conditions and/or stress on structural supports is beyond our control. Such conditions may result in damage to this product. Improvements to product may be made without notice.

DPX-19x

Diplexer | 555-960 MHz/1695-2690 MHz | Single and Twin Units | Indoor / Outdoor

Environmental			
Temperature Range		-40° to +65° C (-40° to 149° F)	
Ingress Protection		IP67	
Operation Compliance		ETS 300 019-1-4 Class 4.1E	
Storage Compliance		ETS 300 019-1-1 Class 1.2	
Mechanical Characteristics		Single Unit	Twin Unit
Finish		Light Grey, NCS 1502-R	
Connectors		7/16 Female or 4.3-10 Female	
Dimensions (H x W x D)	Standard Models	142 x 108 x 55 mm (5.6 x 4.3 x 2.2 in)	142 x 108 x 102 mm (5.6 x 4.3 x 4.0 in)
	Models with Auto-Sense	142 x 108 x 66 mm (5.6 x 4.3 x 2.6 in)	142 x 108 x 131 mm (5.6 x 4.3 x 5.2 in)
Weight (with Brackets)	Standard Models	1.2 kg (2.7 lbs)	2.8 kg (6.2 lbs)
	Models with Auto-Sense	1.3 kg (2.9 lbs)	2.9 kg (6.4 lbs)
Wind Load (at 252 km/h or 156.6 mph)		101 N (22.7 lbf)	
Mounting Options		Description	
Pole / Wall Bracket		Two metal clamps for pole mount included; Pole Diameter 40-140 mm (1.57-5.5 in)	

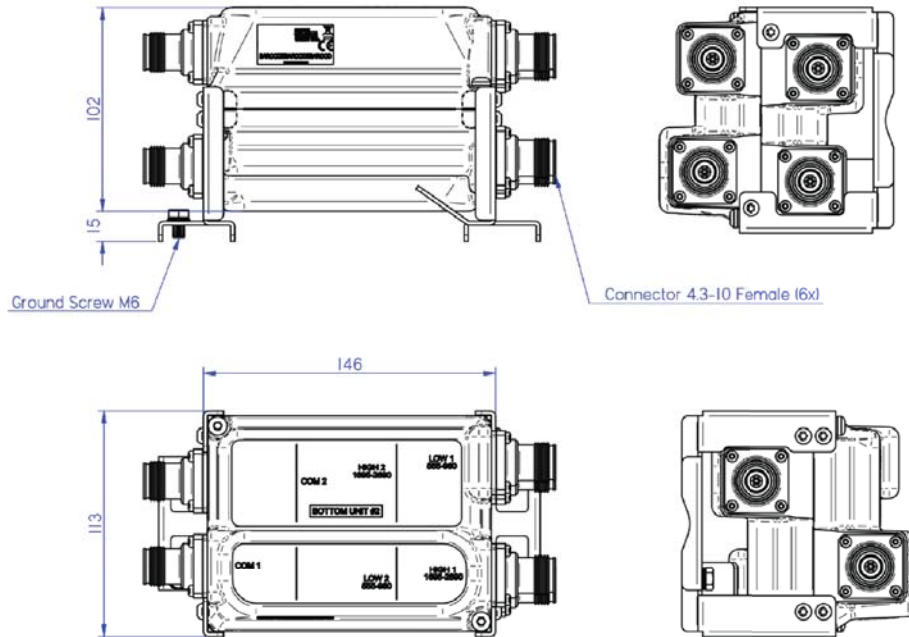


Quoted performance parameters are provided to offer typical or range values only and may vary as a result of normal manufacturing and operational conditions. Extreme operational conditions and/or stress on structural supports is beyond our control. Such conditions may result in damage to this product. Improvements to product may be made without notice.

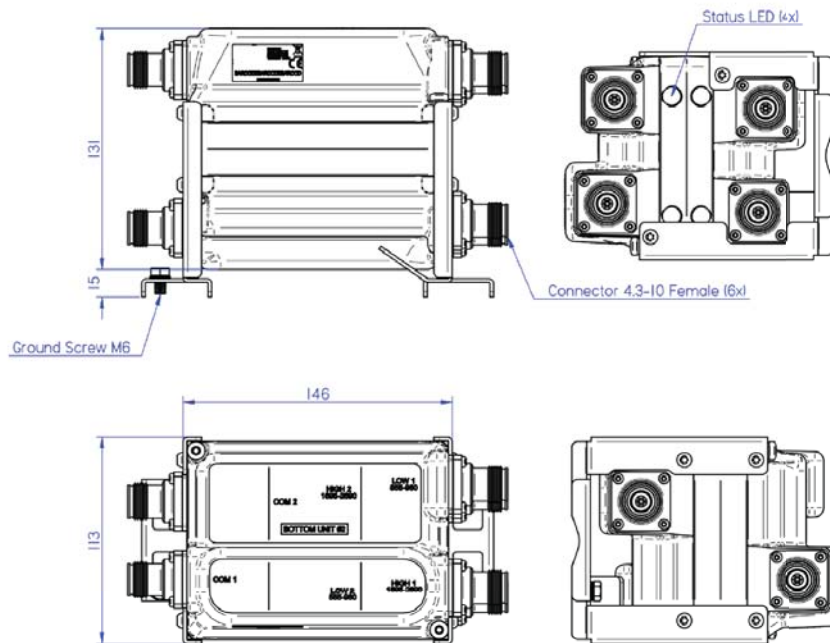
DPX-19x

Diplexer | 555-960 MHz/1695-2690 MHz | Single and Twin Units | Indoor / Outdoor

Dimensions - Twin Unit with 4.3-10 Connectors



Dimensions - Twin Unit with Auto-Sense and 4.3-10 Connectors



Quoted performance parameters are provided to offer typical or range values only and may vary as a result of normal manufacturing and operational conditions. Extreme operational conditions and/or stress on structural supports is beyond our control. Such conditions may result in damage to this product. Improvements to product may be made without notice.