

## DPX-17x

AWS/2300 | Diplexer | Single and Dual Units | Indoor / Outdoor

- Usable at the BTS end or at the antenna end
- Built in lightning protection on all ports
- Available as single or dual unit, various DC/AISG bypass arrangements
- Suitable for indoor and outdoor applications
- Wall or mast mounting



| Ordering Options   | Single Unit         |                   | Twin Unit           |                   |
|--|---------------------|-------------------|---------------------|-------------------|
|  | 7/16-DIN Connectors | 4.3/10 Connectors | 7/16-DIN Connectors | 4.3/10 Connectors |
| When ordering, replace "x" in the model number with one of the options listed below. |                     |                   |                     |                   |
| With DC/AISG Auto-Sense  | DPX-17A             | DPX-17A-43F       | DPX-17AA            | DPX-17AA-43F      |
| No DC/AISG bypass  | DPX-170             | DPX-170-43F       | DPX-171             | DPX-171-43F       |
| Full DC/AISG bypass  | DPX-172             | DPX-172-43F       | DPX-173             | DPX-173-43F       |
| DC/AISG bypass from common to High Band port only                                    | DPX-174             | DPX-174-43F       | DPX-175             | DPX-175-43F       |
| DC/AISG bypass from common to Low Band port only                                     | DPX-176             | DPX-176-43F       | DPX-177             | DPX-177-43F       |

| Electrical Characteristics           |   |         |
|--------------------------------------|---|---------|
| <b>Low Band (1800/2100)</b>          |   |         |
| Frequency Band                       | 1710-2170 MHz                           |         |
| Insertion Loss                       | Typical                                 | 0.15 dB |
|                                      | Maximum                                 | 0.2 dB  |
| Return Loss                          | Typical                                 | 20 dB   |
|                                      | Minimum                                 | 18 dB   |
| Rejection High Band (2300)           | 50 dB                                   |         |
| Continuous Average Power             | 250 W                                   |         |
| Intermodulation, 2x43 dBm TX Carrier | -116 dBm                                |         |
| <b>High Band (2300)</b>              |   |         |
| Frequency Band                       | 2300-2400 MHz                           |         |
| Insertion Loss                       | Typical                                 | 0.15 dB |
|                                      | Maximum                                 | 0.2 dB  |
| Return Loss                          | Typical                                 | 20 dB   |
|                                      | Minimum                                 | 18 dB   |
| Rejection Low Band (1800/2100)       | 50 dB                                   |         |
| Continuous Average Power             | 250 W                                   |         |
| Intermodulation, 2x43 dBm TX Carrier | -116 dBm                                |         |
| <b>General Characteristics</b>       |   |         |
| DC Bypass                            | 3 A                                     |         |
| AISG pass                            | Yes                                     |         |
| Lightning Protection                 | 3 kA 10/350 $\mu$ s, 10 kA 8/20 $\mu$ s |         |
| <b>Environmental Characteristics</b> |   |         |
| Operating Temperature Range          | -40° to +65° C (-40° to +149° F)        |         |
| Operation                            | ETS 300 019-1-4 Class 4.1E              |         |
| Storage                              | ETS 300 019-1-1 Class 1.2               |         |
| Ingress Protection                   | IP67                                    |         |

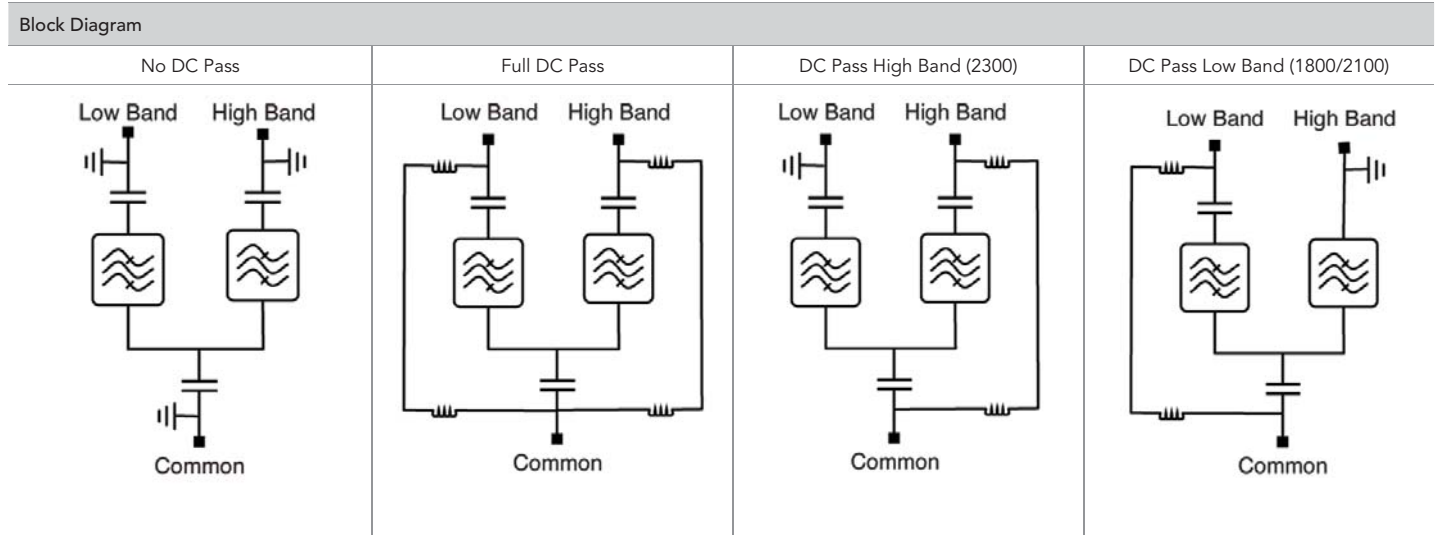
Quoted performance parameters are provided to offer typical or range values only and may vary as a result of normal manufacturing and operational conditions. Extreme operational conditions and/or stress on structural supports is beyond our control. Such conditions may result in damage to this product. Improvements to product may be made without notice.

DPX-17x

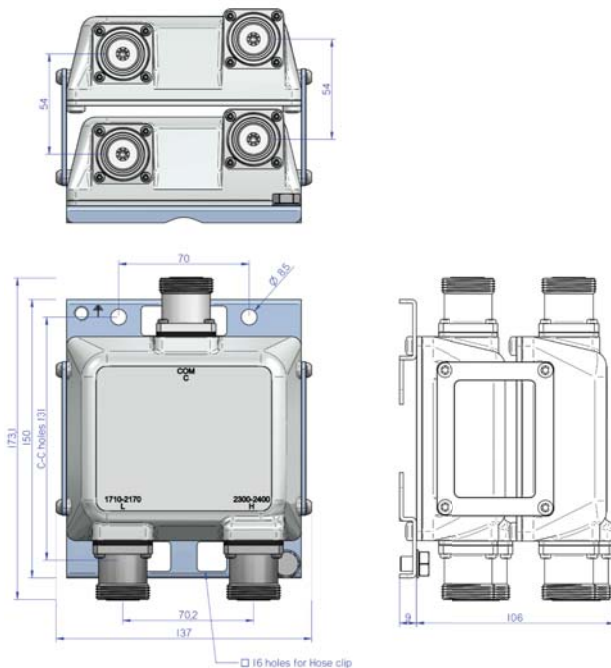
AWS/2300 | Diplexer | Single and Dual Units | Indoor / Outdoor

| Mechanical Characteristics                                |  |                    |
|---|--|--------------------|
| Dimensions - Length x Width x Depth (excludes connectors) | 150 x 137 x 52.5 mm  | 5.4 x 5.9 x 2.1 in |
| Gross Weight  | < 2.0 kg   | 4.4 lbs            |
| Connectors (number, type)                                 | 3 Connectors / See Ordering Options                                |                    |
| Color   | NCS 1502-R, Grey   |                    |
| Mounting  | Hose clamps or wall mount (unit is supplied with two metal clamps) |                    |

Dual unit is mounted on a single bracket for hose clamp or wall mount.



Dimensions (DPX-175)



Quoted performance parameters are provided to offer typical or range values only and may vary as a result of normal manufacturing and operational conditions. Extreme operational conditions and/or stress on structural supports is beyond our control. Such conditions may result in damage to this product. Improvements to product may be made without notice.