

DPX-13x

Diplexer | 800/900 | Single and Twin Units | Indoor / Outdoor

- Combines the 800 and 900 cellular bands into a single output
- Usable at the BTS or antenna end
- Built in lightning protection on all ports
- Available as single or twin unit, with Auto-Sense or various DC/AISG bypass configurations
- Suitable for indoor or outdoor applications
- Pole or wall mounting
- Available with 7/16-DIN or 4.3/10 female connectors



Ordering Options	Single Unit		Twin Unit	
	7/16-DIN	4.3/10	7/16-DIN	4.3/10

When ordering replace "x" with correct option for bypass configuration and single or twin unit.

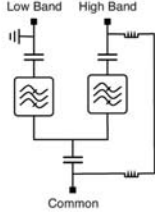
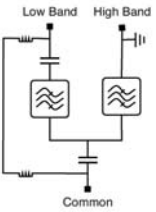
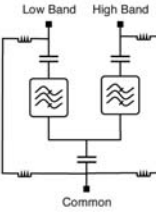
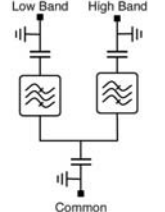
With DC/AISG Auto-Sense	DPX-13A	DPX-13A-43F	DPX-13AA	DPX-13AA-43F
DC/AISG bypass from common to high band only	DPX-132	DPX-132-43F	DPX-133	DPX-133-43F
DC/AISG bypass from common to low band	DPX-130	DPX-130-43F	DPX-131	DPX-131-43F
Full DC/AISG bypass	DPX-134	DPX-134-43F	DPX-135	DPX-135-43F
No DC/AISG bypass	DPX-136	DPX-136-43F	DPX-137	DPX-137-43F

Electrical Characteristics		
800 Channel (Low Band)		
Frequency Band	791-862 MHz	
Insertion Loss	0.2 dB typical; 0.4 dB max	
Return Loss	> 18 dB	
Rejection (925-960 MHz)	> 50 dB	
Continuous Average Power	400 W	
Intermodulation, 2x43 dBm TX Carrier, IM3	-117 dBm	
900 Channel (High Band)		
Frequency Band	880-960 MHz	
Insertion Loss	0.2 dB typical; 0.4 dB max	
Return Loss	> 18 dB	
Rejection (Low Band)	> 50 dB	
Continuous Average Power	300 W	
Intermodulation, 2x43 dBm TX Carrier, IM3	-117 dBm	
General Electrical	Standard Models	Models with Auto-Sense
DC Bypass Rating	3 A	2 A, drop max 2.4 V
AISG Pass	Yes	---
AISG RL	---	> 12 dB
AISG Loss	---	< 1 dB
Lightning Protection	---	10 kA 8/20 μ s
Input Voltage Power	---	8-31 V max 0.3 W

Quoted performance parameters are provided to offer typical or range values only and may vary as a result of normal manufacturing and operational conditions. Extreme operational conditions and/or stress on structural supports is beyond our control. Such conditions may result in damage to this product. Improvements to product may be made without notice.

DPX-13x

Diplexer | 800/900 | Single and Twin Units | Indoor / Outdoor

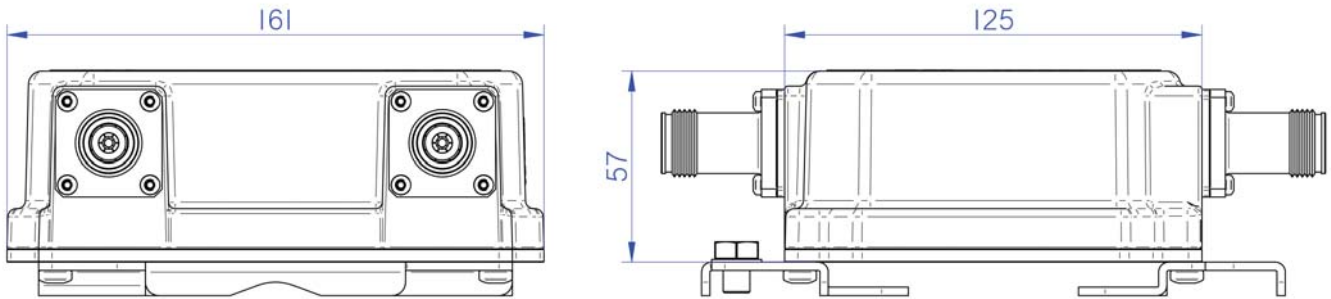
Environmental			
Temperature Range	-40° to +65° C (-40° to 149° F)		
Ingress Protection	IP68		
Operation Compliance	ETS 300 019-1-4 Class 4.1E		
Storage Compliance	ETS 300 019-1-1 Class 1.2		
Mechanical Characteristics	Standard Models	Models with Auto-Sense	
Finish	Light Grey (NCS 1502-R)		
Connectors	7/16 Female Long Neck or 4.3/10 Female		
Dimensions - Single Unit (H x W x D)	125 x 161 x 57 mm (4.9 x 6.3 x 2.2 in)	125 x 161 x 68 mm (4.9 x 6.3 x 2.7 in)	
Weight (Single Unit, Including Brackets)	2.3 kg (5.1 lbs)	2.4 kg (5.3 lbs)	
Mounting Options	Description		
Pole / Wall Bracket	Two metal clamps for pole mount included		
Block Diagrams			
<p>DC/AISG Bypass High Band</p>  <p>DPX-132 DPX-133</p>	<p>DC/AISG Bypass Low Band</p>  <p>DPX-130 DPX-131</p>	<p>Full DC/AISG Bypass</p>  <p>DPX-134 DPX-135</p>	<p>No DC/AISG Bypass</p>  <p>DPX-136 DPX-137</p>

Quoted performance parameters are provided to offer typical or range values only and may vary as a result of normal manufacturing and operational conditions. Extreme operational conditions and/or stress on structural supports is beyond our control. Such conditions may result in damage to this product. Improvements to product may be made without notice.

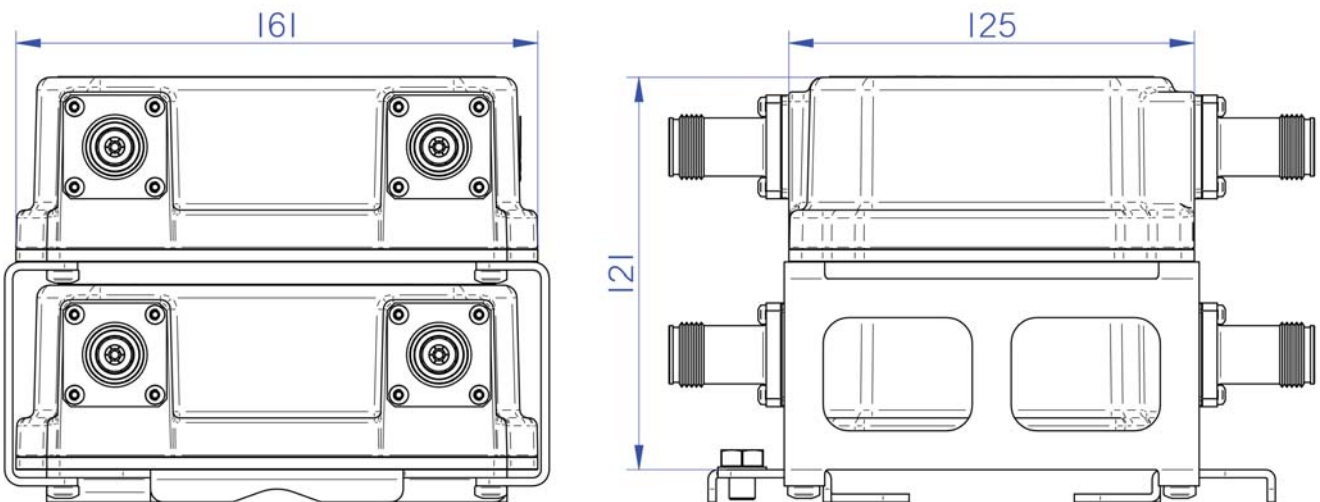
DPX-13x

Diplexer | 800/900 | Single and Twin Units | Indoor / Outdoor

Dimensions - Single Unit with 7/16-DIN Connectors



Dimensions - Twin Unit with 4.3/10 Connectors



Quoted performance parameters are provided to offer typical or range values only and may vary as a result of normal manufacturing and operational conditions. Extreme operational conditions and/or stress on structural supports is beyond our control. Such conditions may result in damage to this product. Improvements to product may be made without notice.