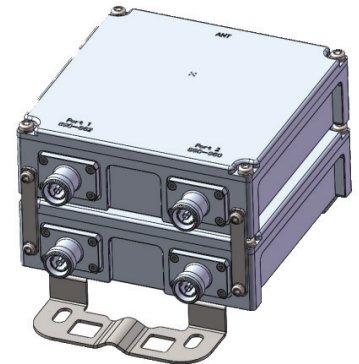


DPX-13x-JJ-43v

Diplexer | 700+800/900 | Single and Twin Units | Indoor / Outdoor

- Combines the 700+800 and 900 cellular bands into a single output
- Usable at the BTS or antenna end
- Built in lightning protection on all ports
- Available as single or twin unit, with various DC/AISG bypass configurations
- Suitable for indoor or outdoor applications
- Pole or wall mounting

Ordering Options		Single Unit	Twin Unit
No DC/AISG bypass			
Input Connector	Output Connector		
4.3-10 Female	4.3-10 Female	DPX-136-JJ-43Fv	DPX-137-JJ-43Fv
4.3-10 Female	7/16 DIN Female	DPX-136-JJ-43FDFv	DPX-137-JJ-43FDFv
Electrical Characteristics		Single Unit	Twin Unit
Pass Band	Band 1	690-803 MHz	
	Band 2	880-960 MHz	
Max Insertion Loss	Port 1 -- ANT	< 0.45 dB	
	Port 2 -- ANT		
Typical Insertion loss	Port 1 -- ANT	< 0.2 dB	
	Port 2 -- ANT		
Max Return loss	Port 1 -- ANT	> 20 dB	
	Port 2 -- ANT		
Mean Return loss	Port 1 -- ANT	> 18 dB	
	Port 2 -- ANT		
Passband Ripple	Port 1 -- ANT	-0.15 to +0.15	
	Port 2 -- ANT		
Isolation between input ports (dB)	Port 1 - Port 2	> 50 dB (690-803 MHz / 880-960MHz)	
VSWR		< 1.3 (690-803 MHz / 880-960MHz)	
Average Power	Port 1, Port 2, ANT	< 300 W	
IM3 (2x43 dBm)		< -117 dBm	
Impedance (Ω)		50	
Environmental			
Temperature Range		-40° to +60° C	-40° to +140° F
Ingress Protection		IP67	
Lightning Protection		10 kA 8/20 μs	
Application		Indoor / Outdoor	
Salt Fog Standard		IEC 60168-2-11	
Environment standard		RoHS 2011/65/EU and ISO Certification 901/2015 & 14001/2015	

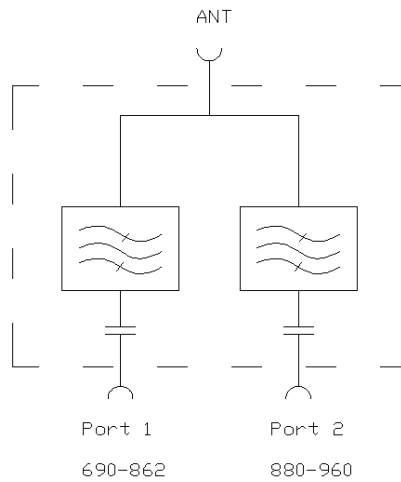


Quoted performance parameters are provided to offer typical, peak or range values only and may vary as a result of normal testing, manufacturing and operational conditions. Extreme operational conditions and/or stress on structural supports is beyond our control. Such conditions may result in damage to this product. Improvements to products may be made without notice.

DPX-13x-JJ-43v

Diplexer | 700+800/900 | Single and Twin Units | Indoor / Outdoor

Mechanical Characteristics			
Connectors		4.3-10 Female Long Neck	
Dimensions (H x W x D) With Connectors and Mounting Brackets	Single Unit	292 x 168 x 77.5 mm	11.5 x 6.6 x 3.1 in
	Twin Unit	292 x 168 x 140 mm	11.5 x 6.6 x 5.5 in
Weight With Connectors and Mounting Brackets	Single Unit	3.3 kg	7.3 lbs
	Twin Unit	6.5 kg	14.3 lbs
Mounting Options		Description	
Pole / Wall Bracket (included)		Attach to pole diameter Ø40-Ø135 mm (Ø1.57-Ø5.3 in)	



Quoted performance parameters are provided to offer typical, peak or range values only and may vary as a result of normal testing, manufacturing and operational conditions. Extreme operational conditions and/or stress on structural supports is beyond our control. Such conditions may result in damage to this product. Improvements to products may be made without notice.