

## DPX-12x

Diplexer | 1800+2100 / 2600 | Single and Twin Units | Indoor / Outdoor

- Usable at the BTS or antenna end
- Built in lightning protection on all ports
- Available as single or twin unit, with Auto-Sense or various DC/AISG bypass configurations
- Suitable for indoor or outdoor applications
- Pole or wall mounting
- Available with 7/16-DIN or 4.3-10 female connectors



Ordering Options	Single Unit		Twin Unit	
	7/16-DIN	4.3-10	7/16-DIN	4.3-10

When ordering replace "x" with correct option for bypass configuration and single or twin unit.

With DC/AISG Auto-Sense	DPX-12A	DPX-12A-43F	DPX-12AA	DPX-12AA-43F
DC/AISG bypass from common to high band only	DPX-122	DPX-122-43F	DPX-123	DPX-123-43F
DC/AISG bypass from common to low band	DPX-120	DPX-120-43F	DPX-121	DPX-121-43F
Full DC/AISG bypass	DPX-124	DPX-124-43F	DPX-125	DPX-125-43F
No DC/AISG bypass	DPX-126	DPX-126-43F	DPX-127	DPX-127-43F

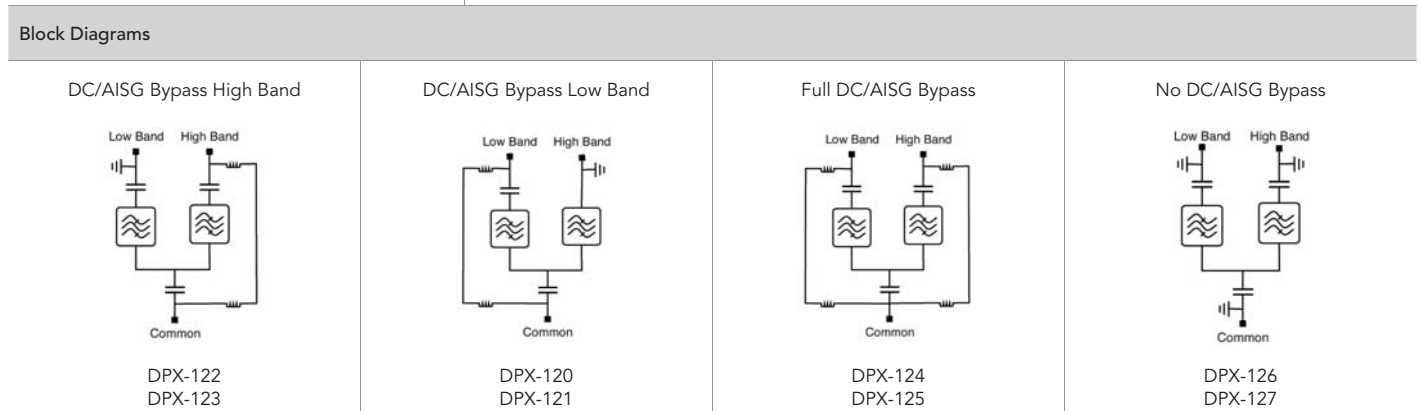
Electrical Characteristics		
<b>1800+2100 Channel (Low Band)</b>		
Frequency Band	1695-2180 MHz	
Insertion Loss	< 0.2 dB	
Return Loss	> 18 dB	
Rejection (High Band)	50 dB	
Continuous Average Power	400 W	
Intermodulation, 2x43 dBm TX Carrier, IM3	-117 dBm	
<b>2600 Channel (High Band)</b>		
Frequency Band	2496-2690 MHz	
Insertion Loss	< 0.2 dB	
Return Loss	> 18 dB	
Rejection (Low Band)	50 dB	
Continuous Average Power	250 W	
Intermodulation, 2x43 dBm TX Carrier, IM3	-117 dBm	
General Electrical	Standard Models	Models with Auto-Sense
DC Bypass Rating	3 A	2 A, drop max 2.4 V
AISG Pass	Yes	---
AISG RL	---	> 12 dB
AISG Loss	---	< 1 dB
Lightning Protection	---	10 kA 8/20 $\mu$ s
Input Voltage Power	---	8-30 V max 0.3 W
Impedance	50 $\Omega$	50 $\Omega$

Quoted performance parameters are provided to offer typical or range values only and may vary as a result of normal manufacturing and operational conditions. Extreme operational conditions and/or stress on structural supports is beyond our control. Such conditions may result in damage to this product. Improvements to product may be made without notice.

## DPX-12x

Diplexer | 1800+2100 / 2600 | Single and Twin Units | Indoor / Outdoor

Environmental			
Temperature Range		-40° to +65° C (-40° to 149° F)	
Ingress Protection		IP67	
Operation Compliance		ETS 300 019-1-4 Class 4.1E	
Storage Compliance		ETS 300 019-1-1 Class 1.2	
Mechanical Characteristics		Single Units	Twin Units
Finish		Light Grey, NCS 1502-R	
Connectors		7/16 Female Long Neck or 4.3-10 Female	
Dimensions (H x W x D)	Standard Models	110 x 126 x 52 mm (4.3 x 5.0 x 2.1 in)	110 x 126 x 106 mm (4.3 x 5.0 x 4.2 in)
	Models with Auto-Sense	110 x 126 x 64 mm (4.3 x 5.0 x 2.5 in)	110 x 126 x 134 mm (4.3 x 5.0 x 5.3 in)
Weight (with brackets)	Standard Models	1.4 kg (3.1 lbs)	2.5 kg (5.5 lbs)
	Models with Auto-Sense	1.5 kg (3.3 lbs)	2.6 kg (5.7 lbs)
Wind Load (at 252 km/h or 156.6 mph)		85 N (19.1 lbf)	
Mounting Options		Description	
Pole / Wall Bracket		Two metal clamps for pole mount included; Pole Diameter 40-140 mm (1.57-5.5 in)	

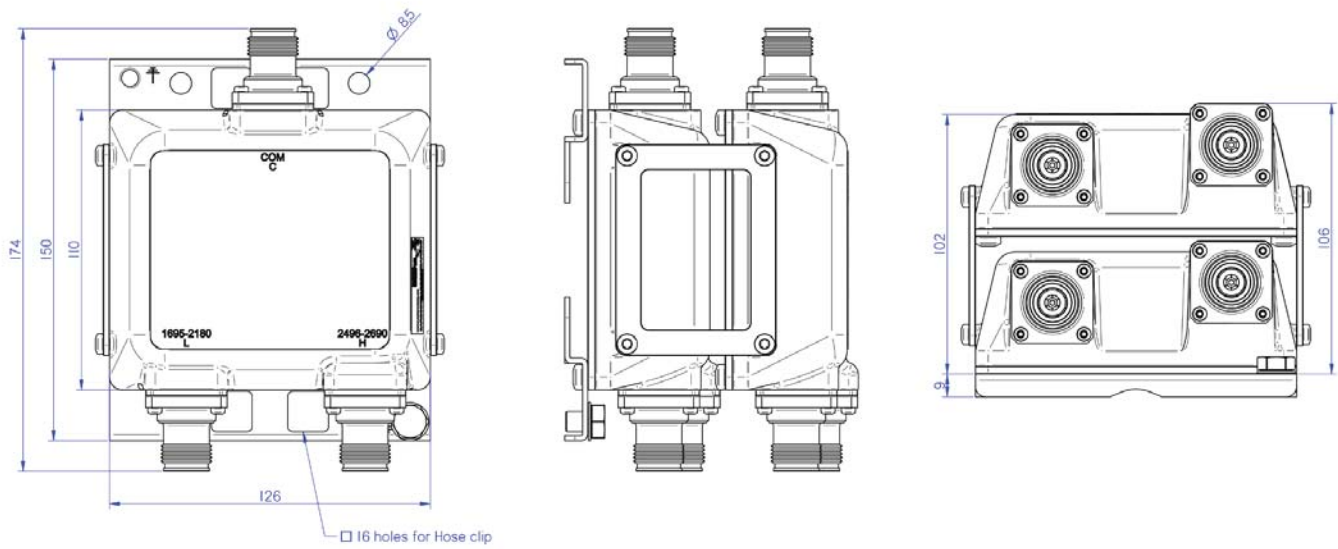


Quoted performance parameters are provided to offer typical or range values only and may vary as a result of normal manufacturing and operational conditions. Extreme operational conditions and/or stress on structural supports is beyond our control. Such conditions may result in damage to this product. Improvements to product may be made without notice.

DPX-12x

Diplexer | 1800+2100 / 2600 | Single and Twin Units | Indoor / Outdoor

Dimensions - Twin Unit with 4.3-10 Connectors



Quoted performance parameters are provided to offer typical or range values only and may vary as a result of normal manufacturing and operational conditions. Extreme operational conditions and/or stress on structural supports is beyond our control. Such conditions may result in damage to this product. Improvements to product may be made without notice.