

DPX-11x

Diplexer | 1800 / 2100 | Single and Twin Units | Indoor / Outdoor

- Usable at the BTS or antenna end
- Built in lightning protection on all ports
- Available as single or twin unit, with Auto-Sense or various DC/AISG bypass configurations
- Suitable for indoor or outdoor applications
- Pole or wall mounting
- Available with 7/16-DIN or 4.3-10 female connectors



Ordering Options	Single Unit		Twin Unit	
	7/16-DIN	4.3-10	7/16-DIN	4.3-10

When ordering replace "x" with correct option for bypass configuration and single or twin unit.

With DC/AISG Auto-Sense	DPX-11A	DPX-11A-43F	DPX-11AA	DPX-11AA-43F
DC/AISG bypass from common to high band only	DPX-110	DPX-110-43F	DPX-111	DPX-111-43F
DC/AISG bypass from common to low band	DPX-114	DPX-114-43F	DPX-115	DPX-115-43F
Full DC/AISG bypass	DPX-112	DPX-112-43F	DPX-113	DPX-113-43F
No DC/AISG bypass	DPX-116	DPX-116-43F	DPX-117	DPX-117-43F

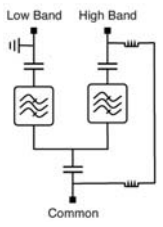
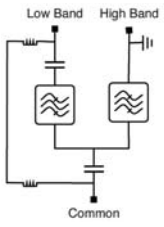
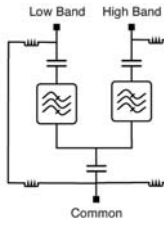
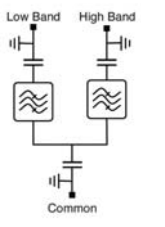
Electrical Characteristics				
1800 Channel (Low Band)				
Frequency Band	1710-1880 MHz			
Insertion Loss	1710-1785 MHz	0.15 dB typical; 0.2 dB max		
	1805-1880 MHz	0.15 dB typical; 0.3 dB max		
Return Loss	20 dB typical; 18 dB max			
Rejection (High Band)	60 dB			
Continuous Average Power	250 W			
Intermodulation, 2x43 dBm TX Carrier, IM3	-117 dBm			
2100 Channel (High Band)				
Frequency Band	1920-2170 MHz			
Insertion Loss	1920-1980 MHz*	0.2 dB typical; 0.4 dB max		
	2110-2170 MHz	0.15 dB typical; 0.2 dB max		
Return Loss	20 dB typical; 18 dB max			
Rejection (Low Band)	58 dB			
Continuous Average Power	250 W			
Intermodulation, 2x43 dBm TX Carrier, IM3	-117 dBm			
General Electrical		Standard Models	Models with Auto-Sense	
DC Bypass Rating	3 A		2 A, drop max 2.4 V	
AISG Pass	Yes		---	
AISG RL	---		> 12 dB	
AISG Loss	---		< 1 dB	
Lightning Protection	---		10 kA 8/20 μ s	
Input Voltage Power	---		8-30 V max 0.3 W	

*If TMA is used on 2100, this loss has very little significance.

Quoted performance parameters are provided to offer typical or range values only and may vary as a result of normal manufacturing and operational conditions. Extreme operational conditions and/or stress on structural supports is beyond our control. Such conditions may result in damage to this product. Improvements to product may be made without notice.

DPX-11x

Diplexer | 1800 / 2100 | Single and Twin Units | Indoor / Outdoor

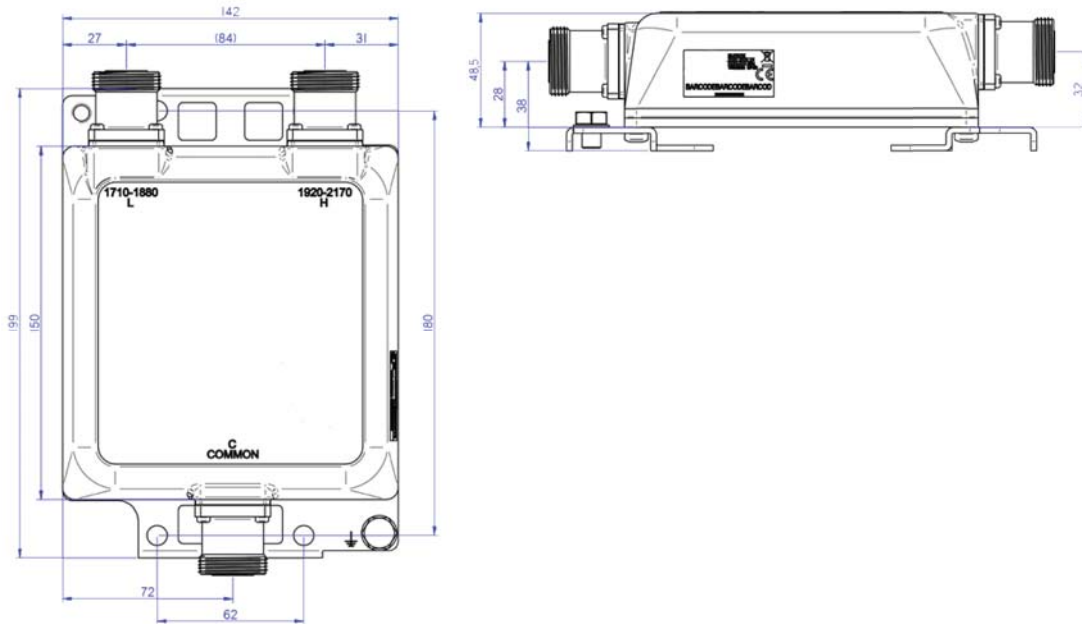
Environmental							
Temperature Range		-40° to +65° C (-40° to 149° F)					
Ingress Protection		IP67					
Operation Compliance		ETS 300 019-1-4 Class 4.1E					
Storage Compliance		ETS 300 019-1-1 Class 1.2					
Mechanical Characteristics		Standard Models	Models with Auto-Sense				
Finish		Light Grey (NCS 1502-R)					
Connectors		7/16 Female or 4.3-10 Female					
Dimensions - (H x W x D)		Single Unit	150 x 142 x 48.5 mm (5.9 x 5.6 x 1.9 in)	150 x 142 x 60 mm (5.9 x 5.6 x 2.4 in)			
		Twin Unit	150 x 142 x 104.5 mm (5.9 x 5.6 x 4.1 in)	150 x 142 x 125 mm (5.9 x 5.6 x 4.9 in)			
Weight	Net	Single Unit	1.9 kg (4.2 lbs)	TBD			
		Twin Unit	3.6 kg (7.9 lbs)	TBD			
	Gross	Single Unit	2.4 kg (5.3 lbs)	TBD			
		Twin Unit	4.2 kg (9.3 lbs)	TBD			
Mounting Options		Description					
Pole / Wall Bracket		Two metal clamps for pole mount included; Pole Diameter 40-140 mm (1.57-5.5 in)					
Block Diagrams							
<p>DC/AISG Bypass High Band</p>  <p>DPX-110 DPX-111</p>		<p>DC/AISG Bypass Low Band</p>  <p>DPX-114 DPX-115</p>		<p>Full DC/AISG Bypass</p>  <p>DPX-112 DPX-113</p>		<p>No DC/AISG Bypass</p>  <p>DPX-116 DPX-117</p>	

Quoted performance parameters are provided to offer typical or range values only and may vary as a result of normal manufacturing and operational conditions. Extreme operational conditions and/or stress on structural supports is beyond our control. Such conditions may result in damage to this product. Improvements to product may be made without notice.

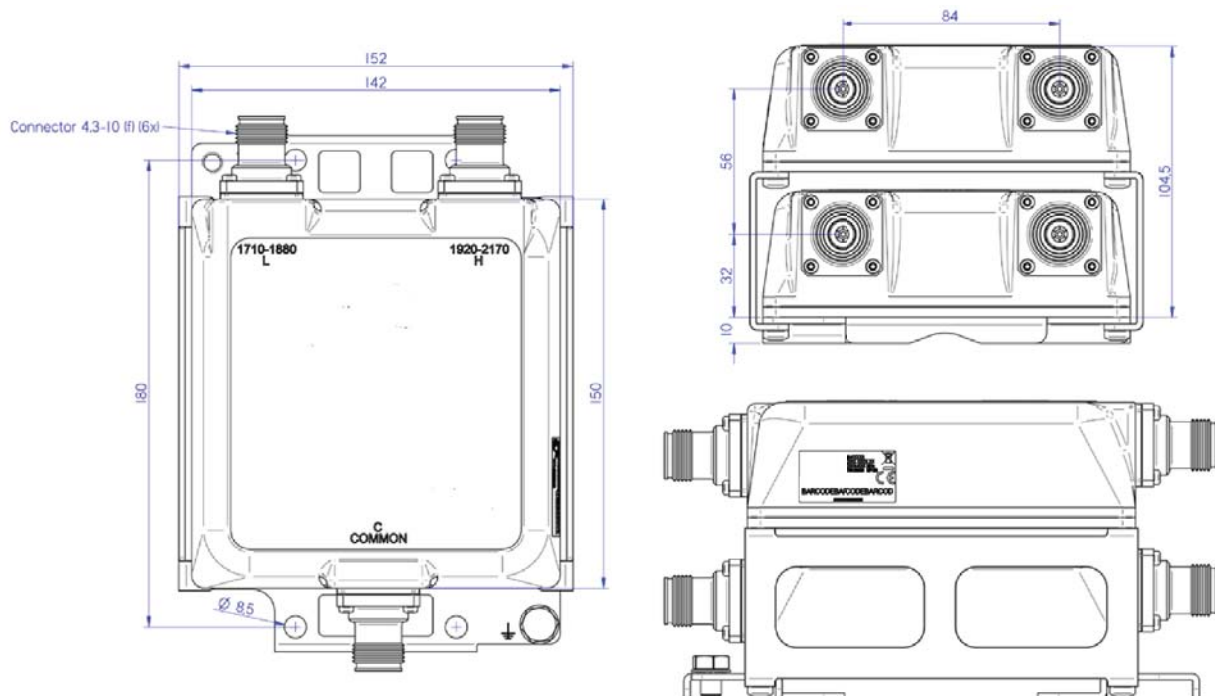
DPX-11x

Diplexer | 1800 / 2100 | Single and Twin Units | Indoor / Outdoor

Dimensions - Single Unit with 7/16-DIN Connectors



Dimensions - Twin Unit with 4.3-10 Connectors



Quoted performance parameters are provided to offer typical or range values only and may vary as a result of normal manufacturing and operational conditions. Extreme operational conditions and/or stress on structural supports is beyond our control. Such conditions may result in damage to this product. Improvements to product may be made without notice.