

## DC-xxMG-43F-CC

This model was previously released as ADC-xx-WBM-GP-43F-CC.

Directional Coupler | 698-2700 MHz | 4.3/10 Female



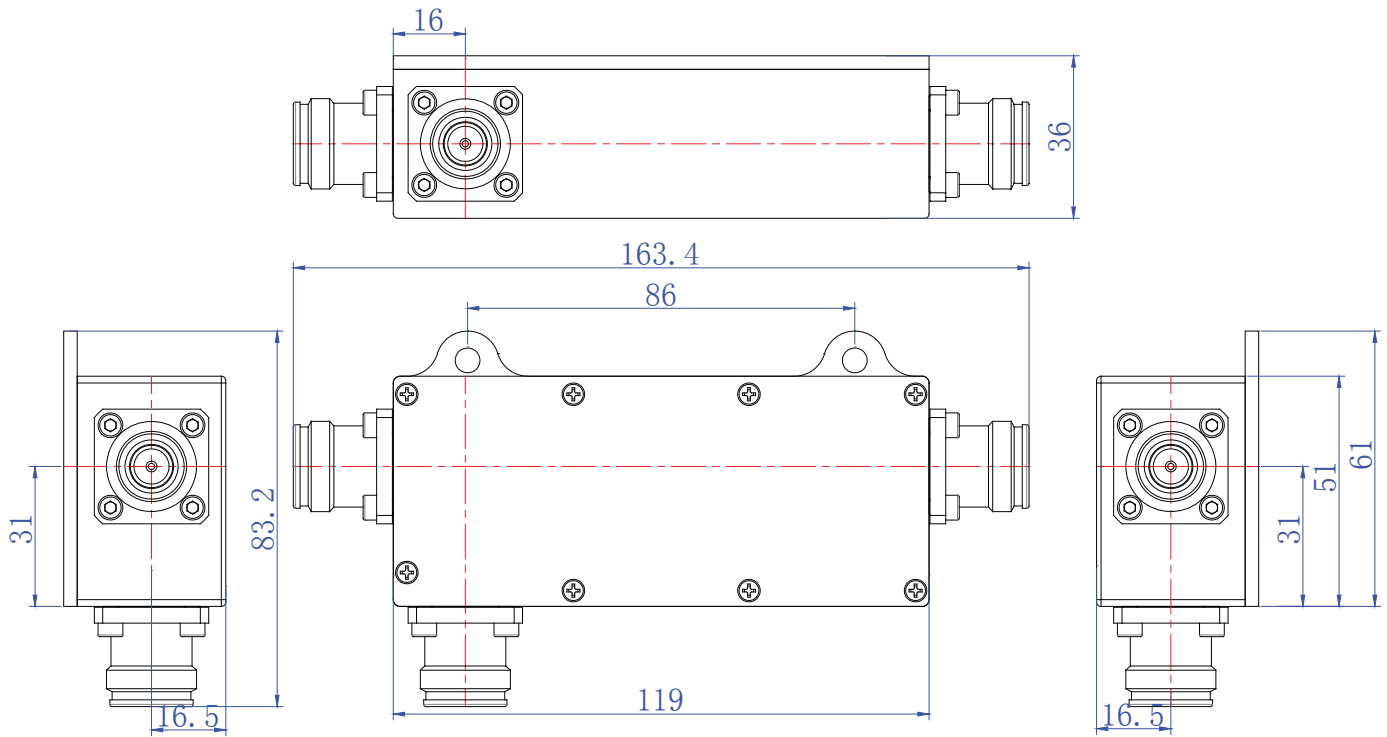
Ordering Options		6 dB Coupler	10 dB Coupler
Model Number (xx)		DC-06MG-43F-CC	DC-10MG-43F-CC
Electrical Characteristics			
Frequency Range		698-2700 MHz	698-2700 MHz
Coupling		6 dB	10 dB
Coupling Tolerance		±0.8 dB	±1.0 dB
Insertion Loss		≤ 1.7 dB	≤ 0.7 dB
Isolation		≥ 26 dB	≥ 30 dB
VSWR		≤ 1.20	≤ 1.20
Average Power (max)		400 W	400 W
Peak Power (max)		1.3 kW	1.3 kW
PIM3 (2x43 dBm)		≤ -155 dBc	≤ -155 dBc
Impedance		50Ω	50Ω
Mechanical Characteristics			
Plating	Inner Contact	Silver	Silver
	Outer Trimetal	Trimetal	Trimetal
Connector		4.3/10 Female	4.3/10 Female
Environmental Characteristics			
Operating Temperature		-35° C to +70° C	-35° C to +70° C
Working Pressure		70-106 kPA	70-106 kPA
Relative Humidity		Up to 95%	Up to 95%
RoHs Compliant		yes	yes
Application		Indoor / Outdoor	Indoor / Outdoor
Ingress Protection		IP65	IP65

Quoted performance parameters are provided to offer typical, peak or range values only and may vary as a result of normal testing, manufacturing and operational conditions. Extreme operational conditions and/or stress on structural supports is beyond our control. Such conditions may result in damage to this product. Improvements to products may be made without notice.

## DC-xxMG-43F-CC

Directional Coupler | 698-2700 MHz | 4.3/10 Female

### Dimensions



Quoted performance parameters are provided to offer typical, peak or range values only and may vary as a result of normal testing, manufacturing and operational conditions. Extreme operational conditions and/or stress on structural supports is beyond our control. Such conditions may result in damage to this product. Improvements to products may be made without notice.