

This model was previously released as ADC-xx-WBL-LP-NF-CC.

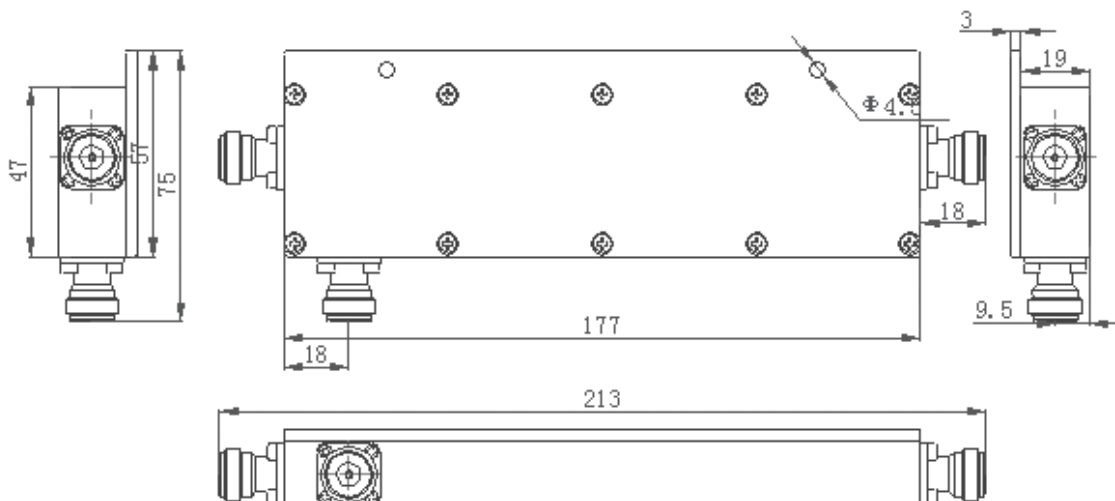
DC-15LL-NF-CC

15 dB Directional Coupler | N Female



Electrical Characteristics	
Frequency Range	350-2700 MHz
Insertion Loss	≤ 0.4 dB
VSWR	≤ 1.25
Power Rating	200 W
Peak Power	1.5 kW
PIM3 (2x43 dBm)	≤ -153 dBc
Coupling	15 dB
Coupling Tolerance	±1.4 dB
Isolation	≥ 35 dB
Directivity	≥ 20 dB
Impedance	50Ω
Mechanical Characteristics	
Dimensions	Refer to Diagram Shown Below
Weight	0.52 kg (1.15 lbs)
Connector	N-Type Female
Environmental Characteristics	
Operating Temperature	-30° C to +75° C (-40° F to +185° F)
Relative Humidity	Up to 95%
Outdoor Application	IP65
RoHS Compliant	Yes

Measurements shown in mm



Quoted performance parameters are provided to offer typical, peak or range values only and may vary as a result of normal testing, manufacturing and operational conditions. Extreme operational conditions and/or stress on structural supports is beyond our control. Such conditions may result in damage to this product. Improvements to products may be made without notice.