

DC-xxHN-NF-CC

Directional Coupler | 698-3800 MHz | N Female



Ordering Options	DC-xxHN-NF-CC												
Model Number (xx)	03	05	06	07	08	09	10	13	15	20	25	30	40
Electrical Characteristics													
Frequency Range	698-3800 MHz												
Coupling	3 dB	5 dB	6 dB	7 dB	8 dB	9 dB	10 dB	13 dB	15 dB	20 dB	25 dB	30 dB	40 dB
Coupling Deviation	±1.0 dB	±1.0 dB	±1.0 dB	±1.0 dB	±1.0 dB	±1.0 dB	±1.0 dB	±1.2 dB	±1.2 dB	±1.2 dB	±1.2 dB	±1.2 dB	±1.5 dB
Insertion Loss	≤ 3.6 dB	2.3 dB	1.75 dB	1.4 dB	1.3 dB	1.2 dB	1.1 dB	0.7 dB	0.5 dB	0.3 dB	0.3 dB	0.3 dB	0.2 dB
Isolation	≥ 23 dB	≥ 25 dB	≥ 26 dB	≥ 27 dB	≥ 28 dB	≥ 29 dB	≥ 30 dB	≥ 33 dB	≥ 35 dB	≥ 40 dB	≥ 45 dB	≥ 45 dB	≥ 55 dB
VSWR	≤ 1.30												
Average Power (max)	300 W												
PIM3 (2x43 dBm)	≤ -150 dBc												
Impedance	50Ω												
Mechanical Characteristics													
Dimensions	See Dimensional Drawings												
Connector	N Female												
Environmental Characteristics													
Operating Temperature	-35° C to +70° C	-35° C to +75° C											
Ingress Protection	IP65												

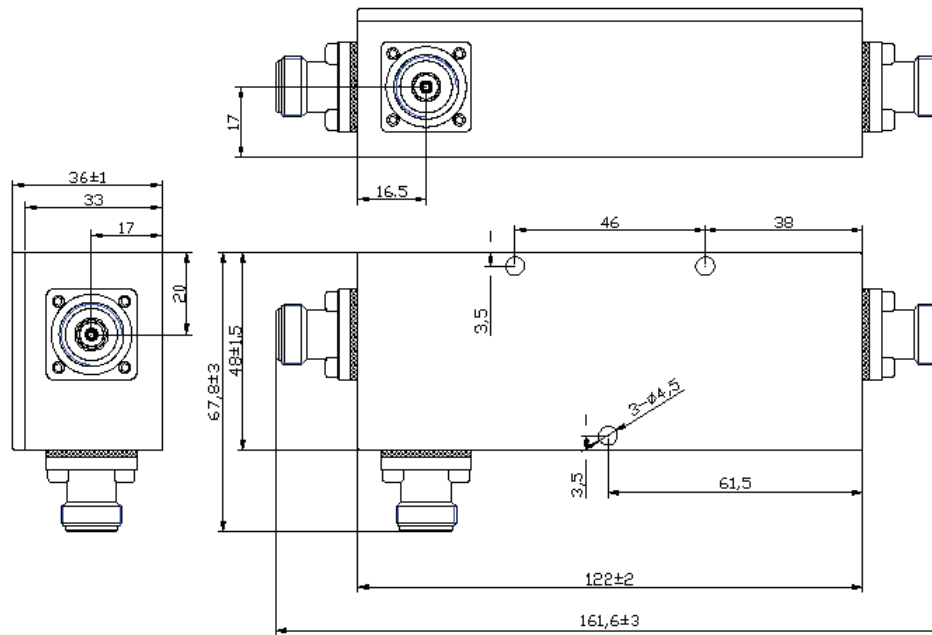
Quoted performance parameters are provided to offer typical, peak or range values only and may vary as a result of normal testing, manufacturing and operational conditions. Extreme operational conditions and/or stress on structural supports is beyond our control. Such conditions may result in damage to this product. Improvements to products may be made without notice.

DC-xxHN-NF-CC

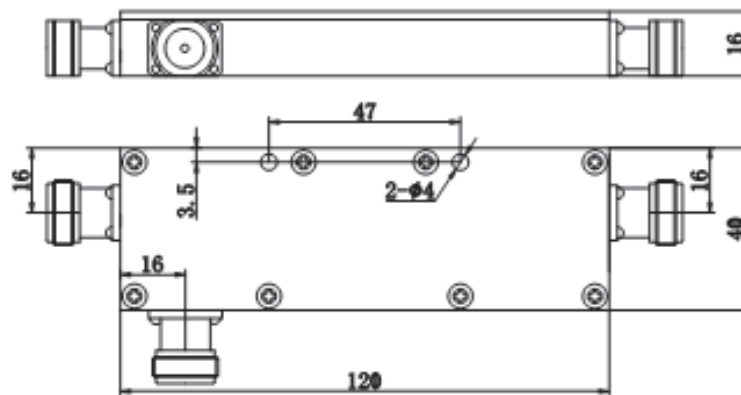
Directional Coupler | 698-3800 MHz | N Female

Dimensional Drawings

DC-03HN-NF-CC



All Other Models



Quoted performance parameters are provided to offer typical, peak or range values only and may vary as a result of normal testing, manufacturing and operational conditions. Extreme operational conditions and/or stress on structural supports is beyond our control. Such conditions may result in damage to this product. Improvements to products may be made without notice.