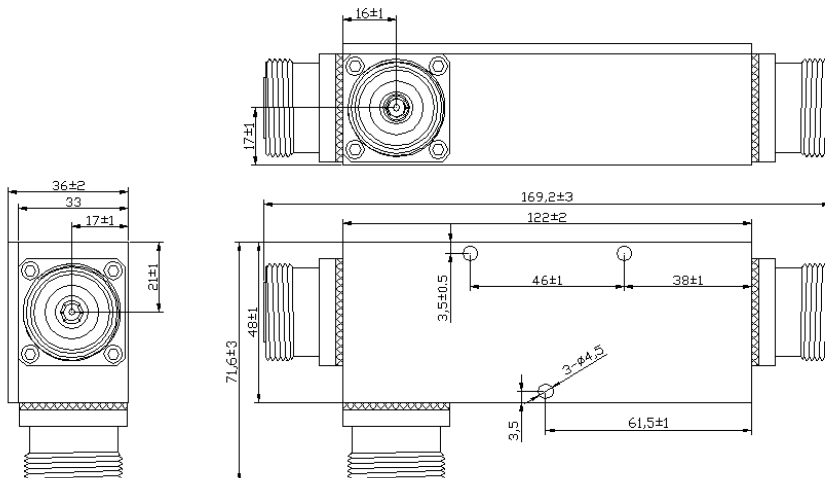


DC-xxHN-DF-CC

Directional Coupler | 698-3800 MHz | DIN Female

Ordering Options	DC-xxHN-DF-CC				
Model Number (xx)	03	06	10	15	20
Electrical Characteristics					
Frequency Range	698-3800 MHz				
Coupling	3 dB	6 dB	10 dB	15 dB	20 dB
Coupling Deviation	±1.0 dB	±1.0 dB	±1.0 dB	±1.0 dB	±1.0 dB
Insertion Loss	3.8 dB	1.75 dB	1.1 dB	0.5 dB	0.3 dB
Isolation	≥ 23 dB	≥ 26 dB	≥ 30 dB	≥ 35 dB	≥ 40 dB
VSWR	≤ 1.30				
Average Power (max)	500 W				
PIM3 (2x43 dBm)	≤ -150 dBc				
Impedance	50Ω				
Mechanical Characteristics					
Dimensions (Without Connector)	122 x 48 x 36 mm				
Weight	0.70 kg				
Color	Black				
Connector	DIN Female				
Environmental Characteristics					
Operating Temperature	-35° C to +75° C				
Operating Humidity	Up to 100%				
Operating Air Pressure	70-106 kpa				
Ingress Protection	IP65				



Quoted performance parameters are provided to offer typical, peak or range values only and may vary as a result of normal testing, manufacturing and operational conditions. Extreme operational conditions and/or stress on structural supports is beyond our control. Such conditions may result in damage to this product. Improvements to products may be made without notice.