

DC-xxHL-43F-CC

Directional Coupler | 698-3800 MHz | 4.3-10 Female

- Low PIM, low VSWR
- High power capacity
- Small size, light weight

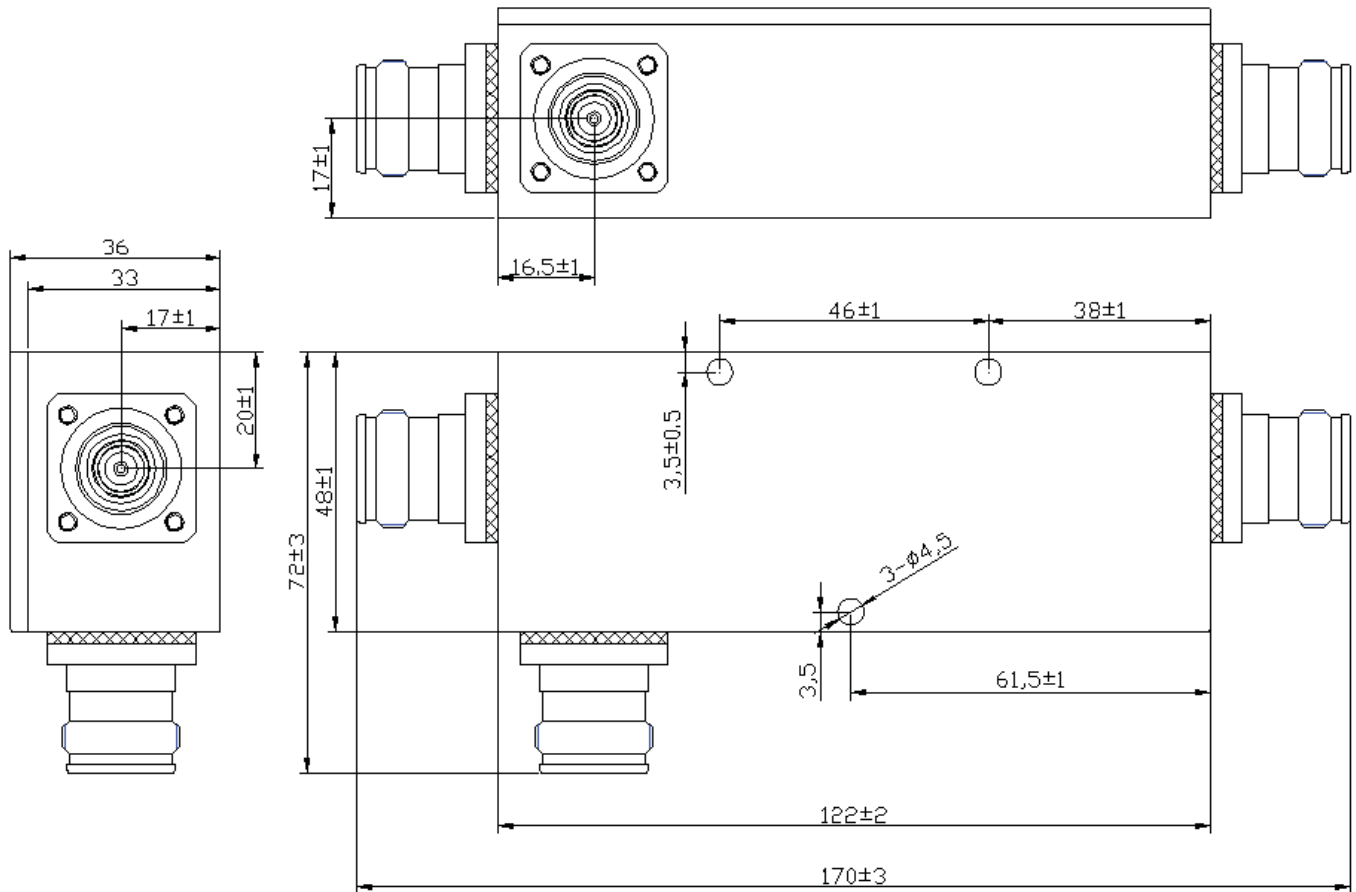
Ordering Options									
When ordering, replace the "xx" in the model number with the options listed below.									
Coupling Value (xx)	05	06	07	08	10	13	15	20	30
Electrical Characteristics									
Frequency Range	698-3800 MHz								
Coupling	4.8 dB	6 dB	7 dB	8 dB	10 dB	13 dB	15 dB	20 dB	30 dB
Coupling Deviation	± 1.0 dB	± 1.0 dB	± 1.0 dB	± 1.0 dB	± 1.0 dB	± 1.0 dB	± 1.0 dB	± 1.0 dB	± 1.5 dB
Insertion Loss	2.3 dB	1.75 dB	1.4 dB	1.3 dB	1.1 dB	0.7 dB	0.5 dB	0.3 dB	0.3 dB
VSWR	≤ 1.30								
Power Rating (avg)	300 W								
PIM3 (2x43 dBm)	≤ -153 dBc								
Isolation	≥ 25 dB	≥ 26 dB	≥ 27 dB	≥ 28 dB	≥ 30 dB	≥ 33 dB	≥ 35 dB	≥ 40 dB	≥ 45 dB
Impedance	50Ω								
Mechanical Characteristics									
Dimensions without connectors (LxWxD)	122 x 48 x 36 mm								
Weight	0.55 kg								
Shipping Dimensions	185 x 80 x 45 mm								
Shipping Weight	0.58 kg								
Color	Black								
Connector	4.3-10 Female								
Environmental Characteristics									
Operating Temperature	-35° C to +75° C								
Relative Humidity	Up to 100%								
Operating Air Pressure	70-106 kpa								
Environmental	IP65								

Quoted performance parameters are provided to offer typical, peak or range values only and may vary as a result of normal testing, manufacturing and operational conditions. Extreme operational conditions and/or stress on structural supports is beyond our control. Such conditions may result in damage to this product. Improvements to products may be made without notice.

DC-xxHL-43F-CC

Directional Coupler | 698-3800 MHz | 4.3-10 Female

Dimensions



Quoted performance parameters are provided to offer typical, peak or range values only and may vary as a result of normal testing, manufacturing and operational conditions. Extreme operational conditions and/or stress on structural supports is beyond our control. Such conditions may result in damage to this product. Improvements to products may be made without notice.