

This model was previously released as ADC-xx-WBH-GP-43F-CC.

## DC-xxHG-43F-CC

Directional Coupler | 698-3800 MHz | 4.3-10 Female



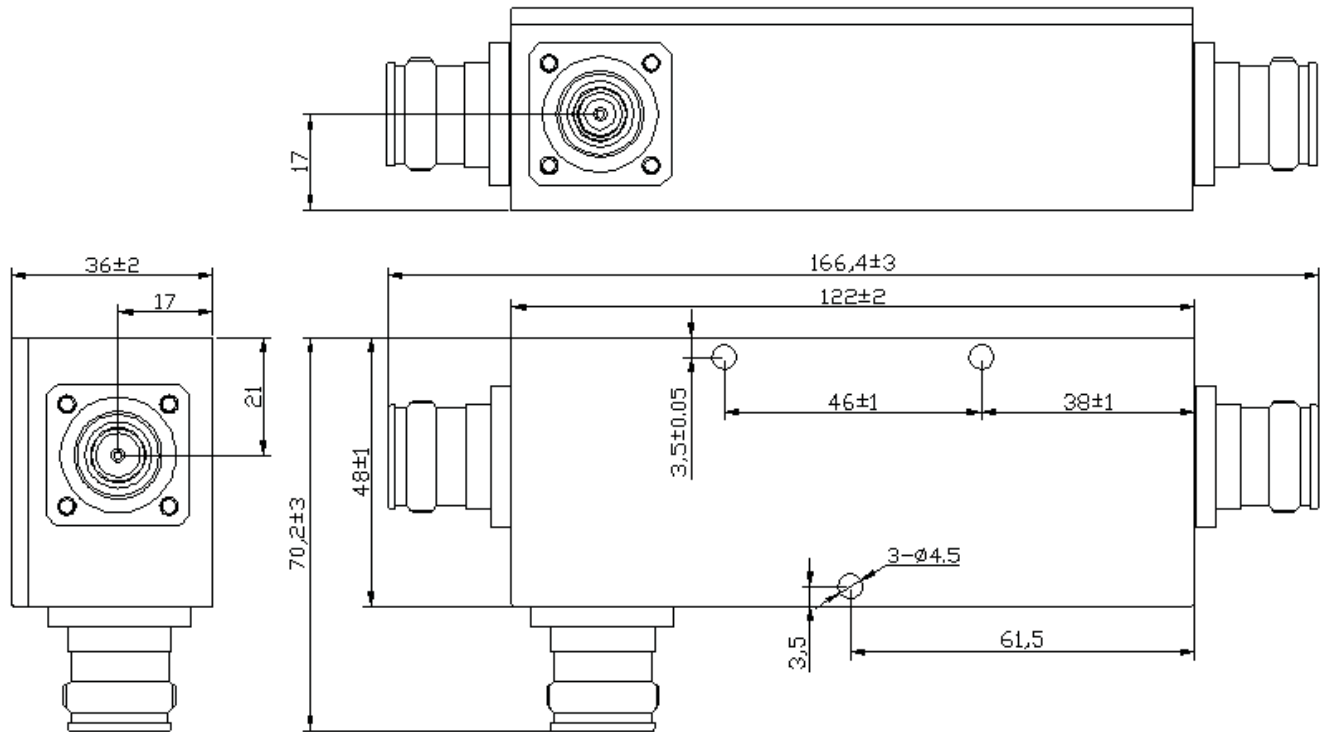
Ordering Options				
When ordering, replace the "xx" in the model number with the options listed below.				
Coupling Value (xx)	06	10	15	20
Electrical Characteristics				
Frequency Range	698-3800 MHz	698-3800 MHz	698-3800 MHz	698-3800 MHz
Coupling Loss	6 ± 1.0 dB	10 ± 1.0 dB	15 ± 1.0 dB	20 ± 1.2 dB
Insertion Loss	≤ 1.7 dB	≤ 0.7 dB	≤ 0.4 dB	≤ 0.3 dB
VSWR	≤ 1.25	≤ 1.25	≤ 1.25	≤ 1.25
Power Rating	500 W	500 W	500 W	500 W
Peak Power (max)	1.5 kW	1.5 kW	1.5 kW	1.5 kW
PIM3 (2x43 dBm)	≤ -155 dBc	≤ -155 dBc	≤ -155 dBc	≤ -155 dBc
Isolation	≥ 26 dB	≥ 30 dB	≥ 35 dB	≥ 40 dB
Impedance	50Ω	50Ω	50Ω	50Ω
Mechanical Characteristics				
Dimensions	Refer to Diagram Shown on Next Page			
Color	Grey or Black			
Weight	0.55 kg			
Plating	Inner Contact	Silver		
	Outer Trimetal	Trimetal		
Connector	4.3-10 Female			
Environmental Characteristics				
Operating Temperature	-40° C to +60° C			
Relative Humidity	Up to 95%			
RoHS Compliant	yes			
Application	Indoor / Outdoor			
Environmental	IP65			

Quoted performance parameters are provided to offer typical, peak or range values only and may vary as a result of normal testing, manufacturing and operational conditions. Extreme operational conditions and/or stress on structural supports is beyond our control. Such conditions may result in damage to this product. Improvements to products may be made without notice.

## DC-xxHG-43F-CC

Directional Coupler | 698-3800 MHz | 4.3-10 Female

### Dimensions



Quoted performance parameters are provided to offer typical, peak or range values only and may vary as a result of normal testing, manufacturing and operational conditions. Extreme operational conditions and/or stress on structural supports is beyond our control. Such conditions may result in damage to this product. Improvements to products may be made without notice.