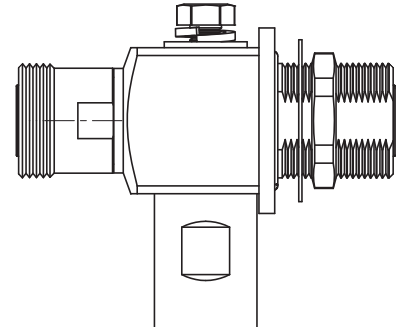
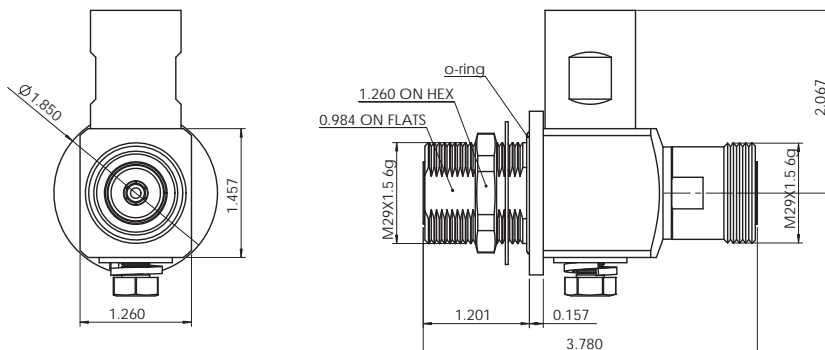


## ASA-WBM-XP-B-DFBDF-F

Surge Arrestor | 7/16-DIN Female Bulkhead-7/16-DIN Female | 700-2700 MHz



Electrical Characteristics		
Impedance	50Ω	
Frequency Range	700-2700 MHz	
VSWR	≤ 1.2	
Insertion Loss	≤ 0.1 dB	
Average Power	500 W	
PIM (2x43 dBm)	≤ -160 dBc	
Impulse Discharge Current	25kA (test pulse 10/350μs)	
Surge Current Handling Capability	50kA (test pulse 8/20μs)	
Residual Pulse Voltage	100 V (test pulse 50kA 8/20μs)	
Residual Pulse Energy	5μj (test pulse 4 kV 1.2/50μs/2kA 8/20μs)	
Mechanical Characteristics		
Retention	≥ 5.88 N	
Nut Torque	25 N·m	
Mating Cycles	500	
Material and Plating	Material	Plating
Inner Conductor	Spring Copper	Ag5μm
Outer Conductor	Brass	Copper tin-zinc 2μm
Nut	Brass	Copper tin-zinc 2μm
O-Ring	Silicon Rubber	---
Insulator	PTFE	---
Environmental Characteristics		
Temperature Range	-55° to +155° C	
Weather Standard	IEC 60068 40 / 085 / 21	
Thermal Shock	IEC 60068-2-14-Na	
Vibration	IEC 60068-2-6-Fc	
Shock	IEC 60068-2-27	
Weatherproofing Standard	IP67	
RoHs Compliant	Yes	



Quoted performance parameters are provided to offer typical, peak or range values only and may vary as a result of normal testing, manufacturing and operational conditions. Extreme operational conditions and/or stress on structural supports is beyond our control. Such conditions may result in damage to this product. Improvements to products may be made without notice.