

ADC-xx-WBM-LP-DF-CC

Directional Coupler | 7/16-DIN Female



Features

- Low VSWR
- Low PIM
- Low insertion loss
- High power capacity
- Performance stability

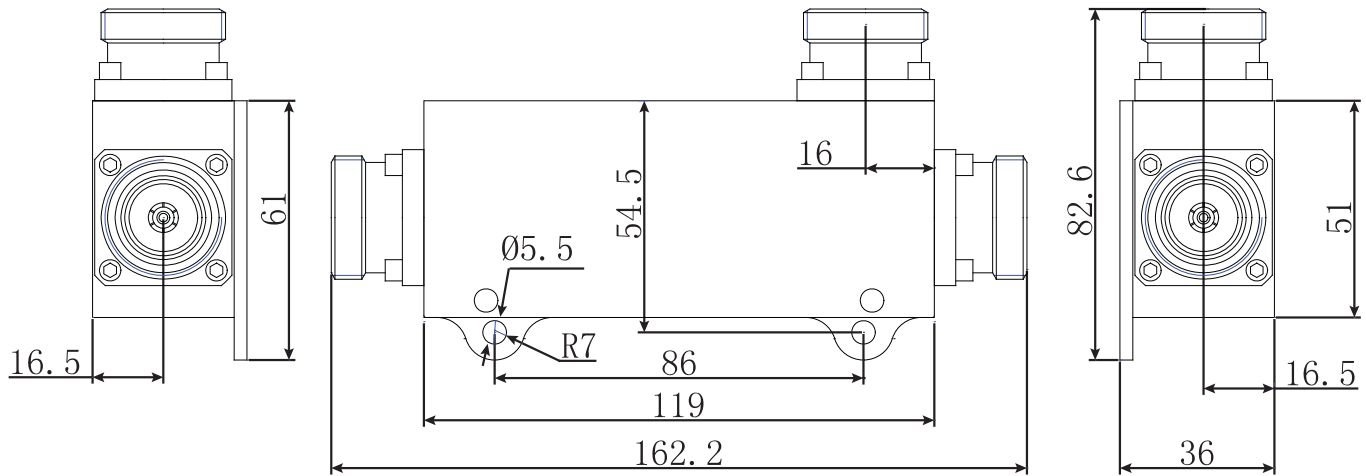
Ordering Options					
Model Number	ADC-06-WBM-LP-DF-CC	ADC-10-WBM-LP-DF-CC	ADC-13-WBM-LP-DF-CC	ADC-15-WBM-LP-DF-CC	ADC-20-WBM-LP-DF-CC
Electrical Characteristics					
Frequency Range	698-2700 MHz				
Coupling	6 dB	10 dB	13 dB	15 dB	20 dB
Insertion Loss	≤ 1.7 dB	≤ 0.7 dB	≤ 0.5 dB	≤ 0.4 dB	≤ 0.2 dB
VSWR	≤ 1.25	≤ 1.25	≤ 1.20	≤ 1.25	≤ 1.25
Power Rating	200 W				
Peak Power (max)	1.5 kW				
PIM3 (2x43 dBm)	≤ -153 dBc				
Coupling Tolerance	±0.8 dB	±1.0 dB	±1.0 dB	±1.0 dB	±1.0 dB
Isolation	≥ 26 dB	≥ 30 dB	≥ 33 dB	≥ 35 dB	≥ 40 dB
Impedance	50Ω				
Mechanical Characteristics					
Dimensions	Refer to Diagram Shown on Next Page				
Plating	Inner Contact	Silver			
	Outer Trimetal	Trimetal			
Connector	7/16-DIN Female				
Environmental Characteristics					
Operating Temperature	-30° C to +75° C (-40° F to +185° F)				
Relative Humidity	Up to 95%				
Application	Indoor / Outdoor				
Certification	IP65				
RoHS Compliant	Yes				

Quoted performance parameters are provided to offer typical, peak or range values only and may vary as a result of normal testing, manufacturing and operational conditions. Extreme operational conditions and/or stress on structural supports is beyond our control. Such conditions may result in damage to this product. Improvements to products may be made without notice.

ADC-xx-WBM-LP-DF-CC

Directional Coupler | 7/16-DIN Female

Dimensions



Quoted performance parameters are provided to offer typical, peak or range values only and may vary as a result of normal testing, manufacturing and operational conditions. Extreme operational conditions and/or stress on structural supports is beyond our control. Such conditions may result in damage to this product. Improvements to products may be made without notice.