

## ADC-xx-WBM-LP-43F-CC

Directional Coupler | 4.3/10 Female

### Features

- Low VSWR
- Low PIM
- Low insertion loss
- High power capacity
- Performance stability



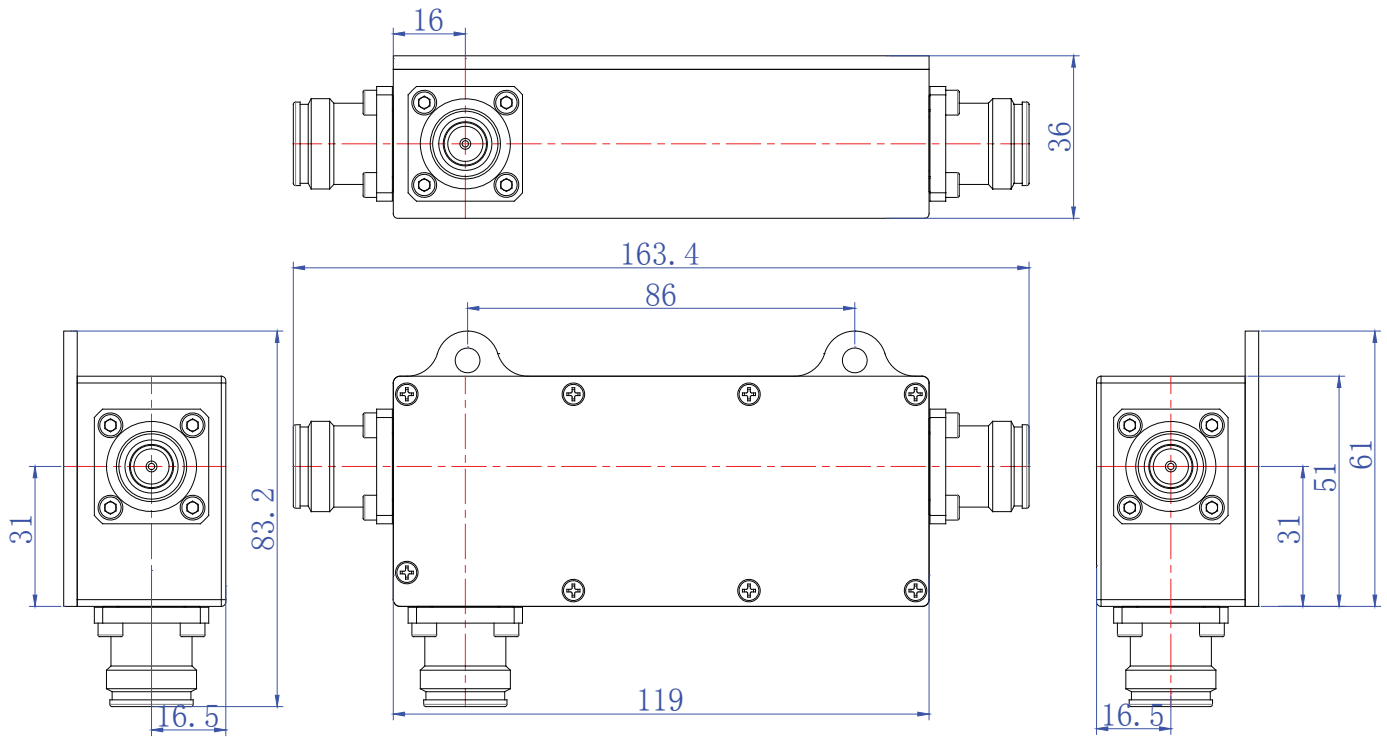
Ordering Options		ADC-06-WBM-LP-43F-CC	ADC-10-WBM-LP-43F-CC
Model Number		ADC-06-WBM-LP-43F-CC	ADC-10-WBM-LP-43F-CC
<b>Electrical Characteristics</b>			
Frequency Range		698-2700 MHz	
Coupling		6 dB	10 dB
Insertion Loss		≤ 1.7 dB	≤ 0.7 dB
VSWR		≤ 1.20	≤ 1.20
Power Rating		400 W	
Peak Power (max)		1.3 kW	
PIM3 (2x43 dBm)		≤ -153 dBc	
Coupling Tolerance		±0.8 dB	±1.0 dB
Isolation		≥ 26 dB	≥ 30 dB
Impedance		50Ω	
<b>Mechanical Characteristics</b>			
Dimensions		Refer to Diagram Shown on Next Page	
Weight		0.56 kg	
Plating	Inner Contact	Silver	
	Outer Trimetal	Trimetal	
Connector		4.3/10 Female	
<b>Environmental Characteristics</b>			
Operating Temperature		-35° C to +70° C	
Storage Temperature		-55° to +85° C	
Relative Humidity		Up to 95%	
Working Pressure		70-106 kPa	
Application		Indoor / Outdoor	
Certification		IP65	
RoHS Compliant		Yes	

Quoted performance parameters are provided to offer typical, peak or range values only and may vary as a result of normal testing, manufacturing and operational conditions. Extreme operational conditions and/or stress on structural supports is beyond our control. Such conditions may result in damage to this product. Improvements to products may be made without notice.

## ADC-xx-WBM-LP-43F-CC

Directional Coupler | 4.3/10 Female

### Dimensions



Quoted performance parameters are provided to offer typical, peak or range values only and may vary as a result of normal testing, manufacturing and operational conditions. Extreme operational conditions and/or stress on structural supports is beyond our control. Such conditions may result in damage to this product. Improvements to products may be made without notice.