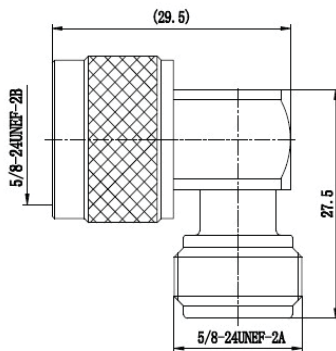
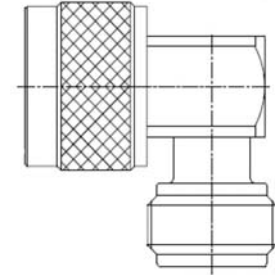


This model was previously released
as AAA-WBD-NMNFR-MM

AD-DXNMNFR-MM

N Male to N Female Right Angle Adaptor

Electrical Characteristics		
Frequency Range	DC-3 GHz	
VSWR	≤ 1.10	
IM3 (2x20W)	≤ -160 dBc	
Insulation Resistance	≥ 5,000 MΩ	
Dielectric Withstanding Voltage (50 Hz at sea level)	≤ 1500 V RMS	
Impedance	50Ω	
Environmental Characteristics		
Storage & Operating Temperature Range	-40° C to +85° C	
Reference Standard	IEC60169-16	
Mechanical Characteristics		
Durability	≥ 500 mating cycles	
Material Characteristics	Material	Plating
Body	Brass	Ni or Tri-Alloy
Center Conductor	Phospor Bronze	Ag
Insulation	PTFE	---



Quoted performance parameters are provided to offer typical, peak or range values only and may vary as a result of normal testing, manufacturing and operational conditions. Extreme operational conditions and/or stress on structural supports is beyond our control. Such conditions may result in damage to this product. Improvements to products may be made without notice.