

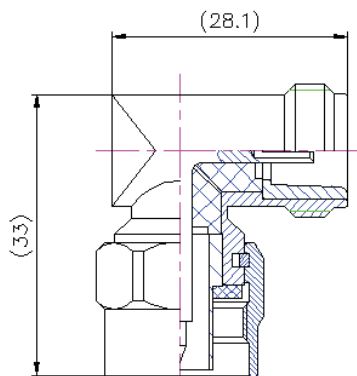
This model was previously released as AAA-WBD-NMRNF-CC

AD-DHNMRNF-CC

N Male Right Angle to N Female Adaptor

Electrical Characteristics		
Frequency Range	DC-3 GHz	
VSWR	≤ 1.10	
Insulation Resistance (min)	5,000 MΩ	
Dielectric Withstanding Voltage	2500 V	
Contact Resistance	Inner	1.0 mΩ
	Outer	0.25 mΩ
Impedance	50Ω	
Mechanical Characteristics		
Durability	500 mating cycles	
Material Characteristics	Material	Plating
Outer Contact	Brass	Tri-Alloy
Inner Contact	Phospor Brass	Silver
Insulation	PTFE	---
O-Ring	Silicone Rubber	---
Other	Brass	Nickel

**NO
IMAGE
AVAILABLE**
**COMING
SOON**



Quoted performance parameters are provided to offer typical, peak or range values only and may vary as a result of normal testing, manufacturing and operational conditions. Extreme operational conditions and/or stress on structural supports is beyond our control. Such conditions may result in damage to this product. Improvements to products may be made without notice.