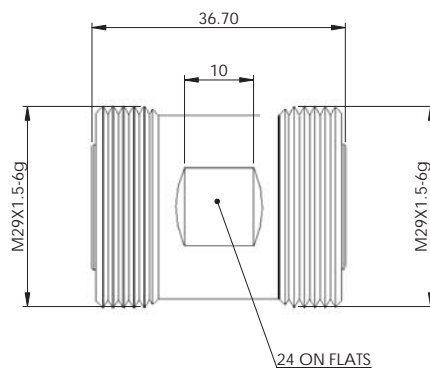
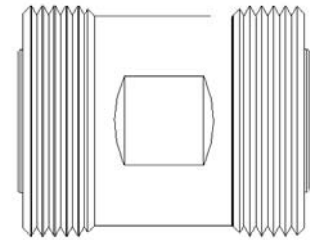


This model was previously released as AAA-EWB-DFDF-F

AD-BXDFDF-F

7/16-DIN Female to 7/16-DIN Female Adaptor

Electrical Characteristics			
Frequency Range		DC-6 GHz	
VSWR		≤ 1.10	
Insertion Loss (@ 3 GHz)		< 0.05 dB	
IM3 (2x43 dBm carrier)		< -160 dBc	
Insulation Resistance		5,000 MΩ	
Proof Voltage		4000 V	
Conductor Resistance	Outer Conductor	< 0.2 MΩ	
	Inner Conductor	< 0.8 MΩ	
Impedance		50Ω	
Environmental Characteristics			
Storage & Operating Temperature Range		-55° C to +155° C	
Reference Standard		IEC60169-4	
Thermal Shock		US MIL-STD-202, Method 107, Condition B	
Vibration		US MIL-STD-202, Method 204, Condition B	
Mechanical Shock		US MIL-STD 202, Method 213, Condition I	
RoHS Compliant		Yes	
Mechanical Characteristics			
Whorl Pull		500 N	
Mechanical Wear (hypo-)		500	
Retention		≥ 5.88 N	
Material Characteristics		Material	Plating
Outer Conductor		C3603	Copper-tin-zinc 2μm
Inner Conductor		Beryllium Copper	Ag5μm
Insulation		PTFE	---



Quoted performance parameters are provided to offer typical, peak or range values only and may vary as a result of normal testing, manufacturing and operational conditions. Extreme operational conditions and/or stress on structural supports is beyond our control. Such conditions may result in damage to this product. Improvements to products may be made without notice.