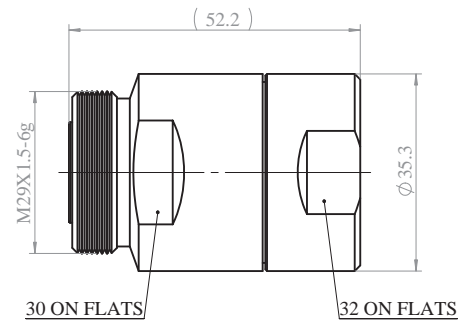
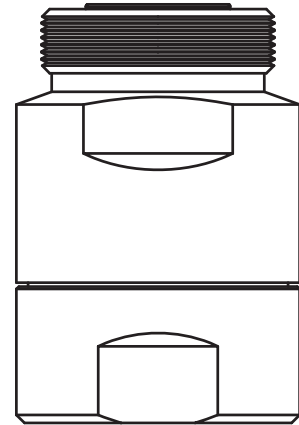


This model was previously released as AAC-78ST-DF-F

AC-78ST-DF-F

7/16-DIN Female Connector for 7/8" Standard Coaxial Cable

Electrical Characteristics		
Frequency Range		DC-3 GHz
VSWR		≤ 1.10
Insertion Loss		< 0.05 dB
Intermodulation (2x43 dBm)		≤ -155 dBc
Insulation Resistance		> 10000 mΩ
Work Voltage		2700 V
Conductor Resistance	Outer Conductor	< 0.2 mΩ
	Inner Conductor	< 0.8 mΩ
Impedance		50Ω
Environmental Characteristics		
Temperature Range		-40° C to +85° C (-40° F to +185° F)
Weather Standard		IEC 60068 40 / 085 / 21
Waterproofing Standard		IP68
Thermal Shock		IEC 60068-2-14-Na
Vibration		IEC 60068-2-6-Fc
Shock		IEC 60068-2-27
Reference Standard		IEC61169-4
RoHS Compliant		Yes
Mechanical Characteristics		
Retention		≥ 5.88 N
Torsion (cable-connector)		5 Nm
Tensile Force (cable-connector)		500 N
Retention		500
Material Characteristics	Material	Plating
Outer Conductor	Brass	Binary Alloy 2μm
Inner Conductor	Spring Copper	Ag 5μm
Clamp	Brass	Binary Alloy 2μm
Insulator	TPX	---
Gasket	Silicone Rubber	---



Quoted performance parameters are provided to offer typical, peak or range values only and may vary as a result of normal testing, manufacturing and operational conditions. Extreme operational conditions and/or stress on structural supports is beyond our control. Such conditions may result in damage to this product. Improvements to products may be made without notice.