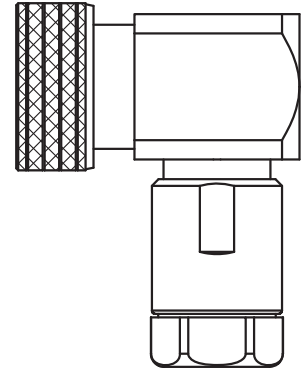


This model was previously released
as AAC-38HF-43PMR-F

AC-38HF-4PMR-F

4.3/10 Male Right Angle Push Pull Connector for 3/8" Superflexible Coaxial Cable

| Electrical Characteristics | | |
|-------------------------------|--------------------------------------|----------|
| Frequency Range | DC-3 GHz | |
| Return Loss | ≥ 30 dB | |
| Insertion Loss | ≤ 0.05 dB | |
| Intermodulation (2x43 dBm) | ≤ -166 dBc | |
| Insulation Resistance | ≥ 5000 mΩ | |
| Work Voltage | 2500 V | |
| Conductor Resistance | Outer Conductor | < 0.1 mΩ |
| | Inner Conductor | < 1.0 mΩ |
| Impedance | 50Ω | |
| Environmental Characteristics | | |
| Temperature Range | -40° C to +85° C (-40° F to +185° F) | |
| Weather Standard | IEC 60068 40 / 085 / 21 | |
| Waterproofing Standard | IP68 | |
| Thermal Shock | IEC 60068-2-14-Na | |
| Vibration | IEC 60068-2-6-Fc | |
| Shock | IEC 60068-2-27 | |
| RoHS Compliant | Yes | |
| Mechanical Characteristics | | |
| Whorl Pull (Nut) | 500 N | |
| Engagement Force | ≤ 80 N | |
| Separation Force | ≤ 60 N | |
| Tensile Force (Cable-Connect) | 300 N | |
| Torsion (Cable-Connect) | 3 Nm | |



Quoted performance parameters are provided to offer typical, peak or range values only and may vary as a result of normal testing, manufacturing and operational conditions. Extreme operational conditions and/or stress on structural supports is beyond our control. Such conditions may result in damage to this product. Improvements to products may be made without notice.