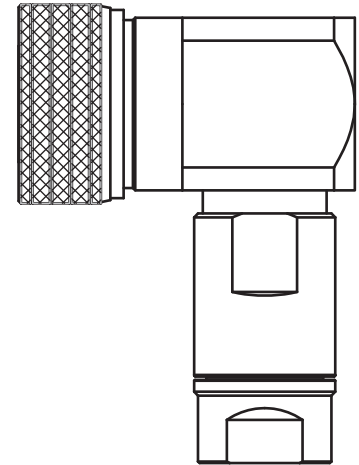


This model was previously released
as AAC-14HF-43PMR-F

AC-14HF-4PMR-F

4.3/10 Male Right Angle Push Pull Connector for 1/4" Superflexible Coaxial Cable



Electrical Characteristics		
Frequency Range	DC-3 GHz	
Return Loss	≥ 30 dB	
Insertion Loss	≤ 0.05 dB	
Intermodulation (2x43 dBm)	≤ -166 dBc	
Insulation Resistance	≥ 5000 mΩ	
Work Voltage	2500 V	
Conductor Resistance	Outer Conductor	< 0.1 mΩ
	Inner Conductor	< 1.0 mΩ
Impedance	50Ω	
Environmental Characteristics		
Temperature Range	-40° C to +85° C (-40° F to +185° F)	
Weather Standard	IEC 60068 40 / 085 / 21	
Waterproofing Standard	IP68	
Thermal Shock	IEC 60068-2-14-Na	
Vibration	IEC 60068-2-6-Fc	
Shock	IEC 60068-2-27	
RoHS Compliant	Yes	
Mechanical Characteristics		
Whorl Pull (Nut)	500 N	
Engagement Force	≤ 80 N	
Separation Force	≤ 60 N	
Tensile Force (Cable-Connect)	250 N	
Torsion (Cable-Connect)	1.5 Nm	

Quoted performance parameters are provided to offer typical, peak or range values only and may vary as a result of normal testing, manufacturing and operational conditions. Extreme operational conditions and/or stress on structural supports is beyond our control. Such conditions may result in damage to this product. Improvements to products may be made without notice.