

AASBC-541

2600 MHz | Same Band Combiner | AISG and DC Transparency | Single Unit

- 2600 MHz, antenna sharing filter
- AISG and DC transparency
- Helps to minimize site acquisition issues
- Reduces the cost of network expansion

**NO
IMAGE
AVAILABLE**
**COMING
SOON**

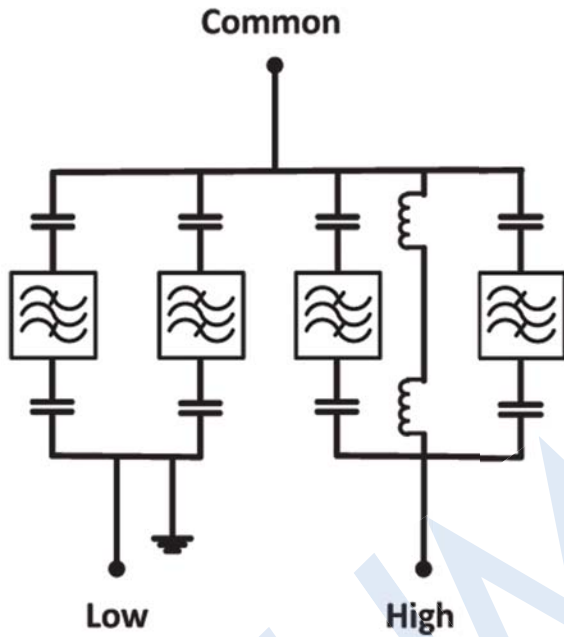
| RF Characteristics | | | |
|-------------------------------------------------|------------------|----------------------------------|---------------|
| Uplink (Rx) Path | | Low | High |
| Frequency Band | | 2500-2520 MHz | 2530-2570 MHz |
| Insertion Loss | | < 0.65 dB | < 0.65 dB |
| Downlink (Tx) Path | | Low | High |
| Frequency Band | | 2620-2640 MHz | 2650-2690 MHz |
| Insertion Loss | | < 0.75 dB | < 0.75 dB |
| Continuous Average Power | Average (53 dBm) | 200 W | |
| | Peak (57 dBm) | 500 W | |
| Intermodulation (2x43 dBm TX carrier, BTS Port) | | -160 dBc | |
| All Bands | | | |
| Return Loss | | 18 dB | |
| Isolation Between Node B Ports | at Rx Frequency | 20 dB | |
| | at Tx Frequency | 35 dB | |
| Power Supply | | | |
| AISG Signal Attenuation at 2.176 GHz | | < 1 dB | |
| Voltage Drop (maximum at 10-30 VDC) | | 1 V | |
| Supply Voltage Handling | | 0-32 VDC | |
| Continuous Current Handling | | 5A, 0-32 VDC | |
| AISG / DC Transparency Between Ports | | High to Common | |
| Environmental Characteristics | | | |
| Operating Temperature Range | | -10° to +65° C (+14° to +149° F) | |
| Operation | | ETS 300 019-1-4 Class 4.2H | |
| Storage | | ETS 300 019-1-1 | |
| Ingress Protection | | IP67 | |
| EMC | | EN 301 489-8 | |
| Safety Standards | | EN 60950 | |
| MTBF | | 1.5 M hours | |
| Lightning Protection | | 3 kA 10/350 μs, 10 kA 8/20 μs | |

Quoted performance parameters are provided to offer typical or range values only and may vary as a result of normal manufacturing and operational conditions. Extreme operational conditions and/or stress on structural supports is beyond our control. Such conditions may result in damage to this product. Improvements to product may be made without notice.

AASBC-541

2600 MHz | Same Band Combiner | AISG and DC Transparency | Single Unit

| Mechanical Characteristics | | |
|-------------------------------------|----------------------------|--------------------|
| Dimensions - Length x Width x Depth | 230 x 180 x 55 mm | 9.1 x 7.1 x 2.2 in |
| Connectors (number, type) | 3 Connectors / 7-16 Female | |
| Block Diagram | | |



Quoted performance parameters are provided to offer typical or range values only and may vary as a result of normal manufacturing and operational conditions. Extreme operational conditions and/or stress on structural supports is beyond our control. Such conditions may result in damage to this product. Improvements to product may be made without notice.