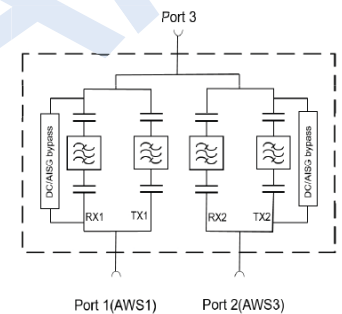
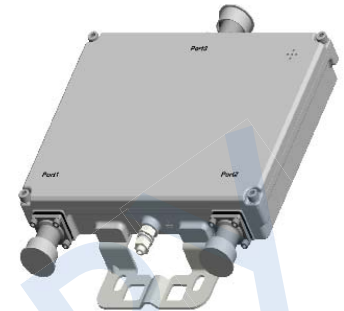


AASBC-26x-JJ

1710-1740/2110-2140 MHz & 1755-1780/2155-2180 MHz | Same Band Combiner

- Usable at BTS or antenna end
- Designed for co-sitting purposes
- Low loss combining with a narrow guard band
- Suitable for indoor or outdoor applications
- Pole or wall mounting

Ordering Options		Single Unit	Double Unit
When ordering replace "x" with correct option for bypass configuration.			
Full DC/AISG bypass		AASBC-262-JJ	AASBC-263-JJ
Electrical Characteristics			
Band 1			
Frequency Band		1710-1740 / 2110-2140 MHz	
Insertion Loss		< 0.3 dB typical	
Isolation		≥ 25 dB	
Return Loss		≥ 20 dB	
Input Power	Average	200 W	
	Peak	2000 W	
Intermodulation (3rd order, 2x43 dBm)		< -160 dBc	
Band 2			
Frequency Band		1755-1780 / 2155-2180 MHz	
Insertion Loss (Port 2 to Port 3)		< 0.3 dB typical	
Isolation		≥ 25 dB	
Return Loss		≥ 20 dB	
Input Power	Average	200 W	
	Peak	2000 W	
Intermodulation (3rd order, 2x43 dBm)		< -160 dBc	
DC/AISG Transparency			
Bypass Rating		2500 mA (max)	
Environmental			
Operating Temperature Range		-40° to +65° C	-40° to 149° F
Ingress Protection		IP68	
Application		Indoor / Outdoor	
Lightning Protection		10 kA (8/20 μs)	
MTBF		> 500,00 hours	
Mechanical Characteristics			
Connectors		7/16-DIN Female, Long Neck	
Dimensions (HxWxD) Without Connectors or Mounting Brackets	Single Unit	170 x 260 x 49 mm	6.7 x 10.2 x 1.9 in
	Double Unit	170 x 260 x 103 mm	6.7 x 10.2 x 4.1 in
Weight	Single Unit	3.0 kg	6.6 lbs
	Double Unit	6.0 kg	13.2 lbs
Packing Dimensions	Single Unit	380 x 260 x 266 mm	15.0 x 10.2 x 10.5 in
	Double Unit	380 x 260 x 320 mm	15.0 x 10.2 x 12.6 in
Mounting Options		Description	
Pole / Wall Bracket		Attach to pole diameter Ø40-Ø135 mm (Ø1.57-Ø5.3 in)	



Quoted performance parameters are provided to offer typical, peak or range values only and may vary as a result of normal testing, manufacturing and operational conditions. Extreme operational conditions and/or stress on structural supports is beyond our control. Such conditions may result in damage to this product. Improvements to products may be made without notice.