

AASBC-202

1800 MHz | Same Band Combiner

- 1800 MHz, same band combiner
- Helps to minimize site acquisition issues
- Reduces the cost of network expansion

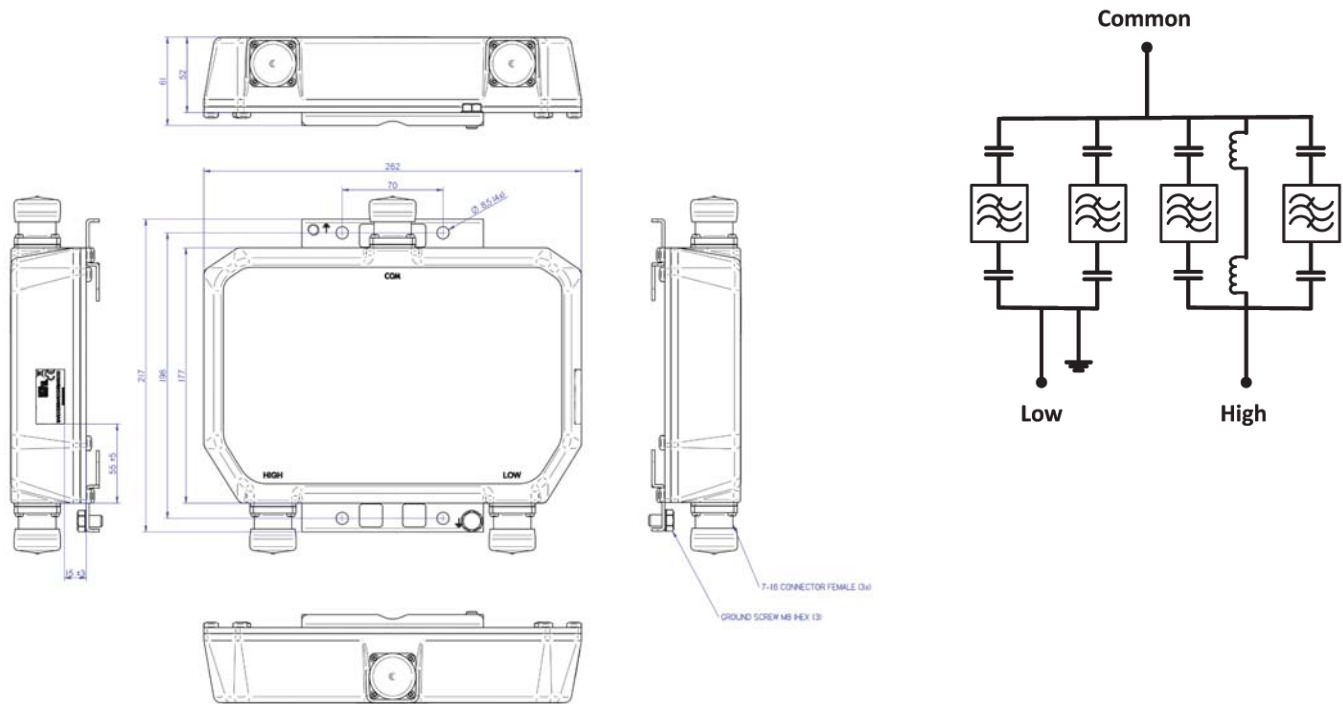
RF Characteristics			
Downlink (Tx)		Low	High
Frequency Band		1810-1825 MHz	1845-1860 MHz
IL		< 1.0 dB	< 1.0 dB
Intermodulation (2x43 dBm Tx Carrier BTS PORT)		-160 dBc	
Power Handling	Average	200W (53 dBm)	
	Peak	500W (57 dBm)	
Uplink (Rx)		Low	High
Frequency Band		1715-1730 MHz	1750-1765 MHz
IL		< 0.8 dB	< 0.8 dB
All Bands			
Return Loss		18 dB	
Isolation Between Node B Ports	At Rx Frequency	20 dB	
	At Tx Frequency	35 dB	
Power Supply			
AISG Signal Attenuation		< 1 dB @ 2.176 MHz	
Voltage Drop		1 V max. @ 10-30 VDC	
Supply Voltage Handling		0-32 VDC	
Continuous Current Handling		5A, 0-32 VDC	
AISG / DC Transparency Between Ports		High to Common	
Environmental Characteristics			
Operating Temperature Range		-20° to +65° C (-4° to +149° F)	
Operation		ETS 300 019-1-4 Class 4.1E	
Storage		ETS 300 019-1-1 Class 1.2	
Ingress Protection Rating		IP67	
Miscellaneous			
EMC		EN 301 489-8	
Safety Standards		EN 60950	
MTBF		1.5 M Hours	
Lightning Protection		3 kA 10/350 μs, 10 kA 8/20 μs	
Mechanical Characteristics			
Colour		NCS 1502-R	
Dimensions (Length x Width x Depth)		177 x 262 x 52 mm	7.0 x 10.3 x 2.1 in
Weight		4 kg	8.8 lbs
Connectors		(3x) 7/16-DIN Female	

Quoted performance parameters are provided to offer typical, peak or range values only and may vary as a result of normal testing, manufacturing and operational conditions. Extreme operational conditions and/or stress on structural supports is beyond our control. Such conditions may result in damage to this product. Improvements to products may be made without notice.

AASBC-202

1800 MHz | Same Band Combiner

Mounting Characteristics	
Mounting Bracket (Included)	Hose Clamps or wall mount
Dimensions	
	Block Diagram



Quoted performance parameters are provided to offer typical, peak or range values only and may vary as a result of normal testing, manufacturing and operational conditions. Extreme operational conditions and/or stress on structural supports is beyond our control. Such conditions may result in damage to this product. Improvements to products may be made without notice.