

AASBC-16x

900 MHz | Same Band Combiner | AISG and DC Transparency | Twin Unit

- 900 MHz, same band combiner
- AISG and DC transparency options
- Helps to minimize site acquisition issues
- Reduces the cost of network expansion

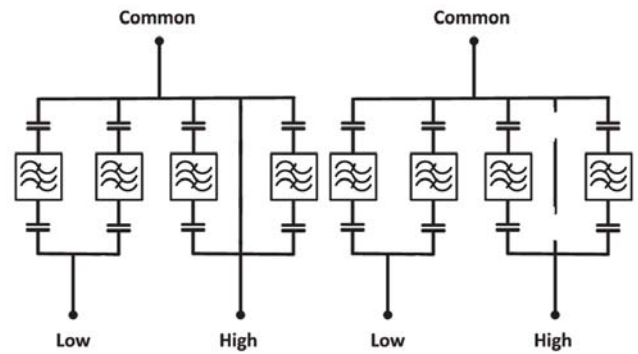
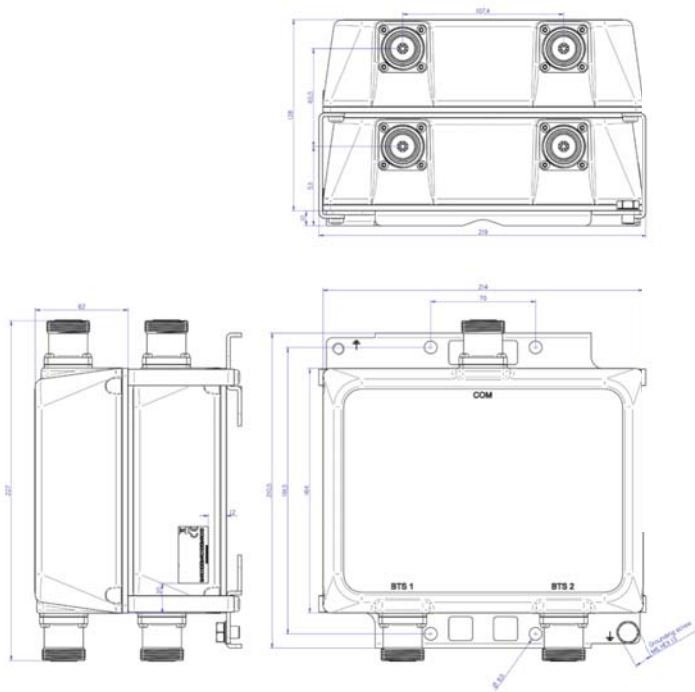
RF Characteristics		Model Number
DC/AISG on Common - Port 1 and Port 2		AASBC-167
DC/AISG on Common - Port 1		AASBC-161
DC/AISG on Common - Port 2		AASBC-163
No DC/AISG Transparency		AASBC-165
RF Characteristics		
Uplink (Rx) Path		Port 1
Frequency Band		885.0-890.0 MHz
Insertion Loss (OBW)	Typical	0.4 dB
	Max	0.5 dB
Downlink (Tx) Path		Port 2
Frequency Band		905.0-915.0 MHz
Insertion Loss (OBW)	Typical	0.5 dB
	Max	0.6 dB
Downlink (Tx) Path		Port 1
Frequency Band		930.0-935.0 MHz
Insertion Loss (OBW)	Typical	0.4 dB
	Max	0.6 dB
Power Handling	Average (53 dBm)	200 W
	Peak (57 dBm)	500 W
Intermodulation (2x43 dBm TX carrier, BTS Port)		-160 dBc
All Bands		
Return Loss		> 18 dB
Isolation Between BTS Ports	at Rx Frequency	30 dB
	at Tx Frequency	30 dB
Power Supply		
AISG Signal Attenuation at 2.176 MHz		< 1 dB
Voltage Drop (maximum at 10-30 VDC)		1 V
Supply Voltage Handling		0-32 VDC
Continuous Current Handling		5A, 0-32 VDC
AISG / DC Transparency Between Ports		See Ordering Options Above
Environmental Characteristics		
Operating Temperature Range		-25° to +65° C (-13° to +149° F)
Operation		ETS 300 019-1-4, Class 4.1E
Storage		ETS 300 019-1-1, Class 1.2
Ingress Protection		IP67
EMC		EN 301 489-8
Safety Standards		EN 60950
MTBF		1.5 M hours
Lightning Protection		8 kA 8/20 μs

Quoted performance parameters are provided to offer typical or range values only and may vary as a result of normal manufacturing and operational conditions. Extreme operational conditions and/or stress on structural supports is beyond our control. Such conditions may result in damage to this product. Improvements to product may be made without notice.

AASBC-16x

900 MHz | Same Band Combiner | AISG and DC Transparency | Twin Unit

Mechanical Characteristics		
Colour	NCS-S1502-R	
Dimensions - Length x Width x Depth (without connectors)	164 x 214 x 128 mm	6.5 x 8.4 x 5.0 in
Gross Weight	8.0 kg	17.6 lbs
Connectors (number, type)	6 Connectors / 7/16-DIN Female	
Dimensions		
Block Diagram		



Quoted performance parameters are provided to offer typical or range values only and may vary as a result of normal manufacturing and operational conditions. Extreme operational conditions and/or stress on structural supports is beyond our control. Such conditions may result in damage to this product. Improvements to product may be made without notice.