

## AA-010-xx-ML-yyzz-CC

10W Attenuator | Indoor Use



### Electrical Characteristics

Frequency Range	698-2700 MHz			
VSWR	≤ 1.25			
Power	10 W			
Attenuation Value (xx)	6 dB	10 dB	20 dB	30 dB
Accuracy	±0.4 dB	± 0.5 dB	± 0.6 dB	± 1.2 dB
PIM	≤ -160 dBc			
Impedance	50Ω			

### Mechanical Characteristics

Dimensions without connectors	See Dimensional Drawing Next Page
Weight	3 kg
Connector Type	See Ordering Options Below

### Environmental Characteristics

Application	Indoor / Outdoor
Operating Temperature	-40° C to +75° C
Environmental	IP65

## Ordering Options

When ordering, select the Attenuation Value (xx), then select the Connector Type (yyzz).

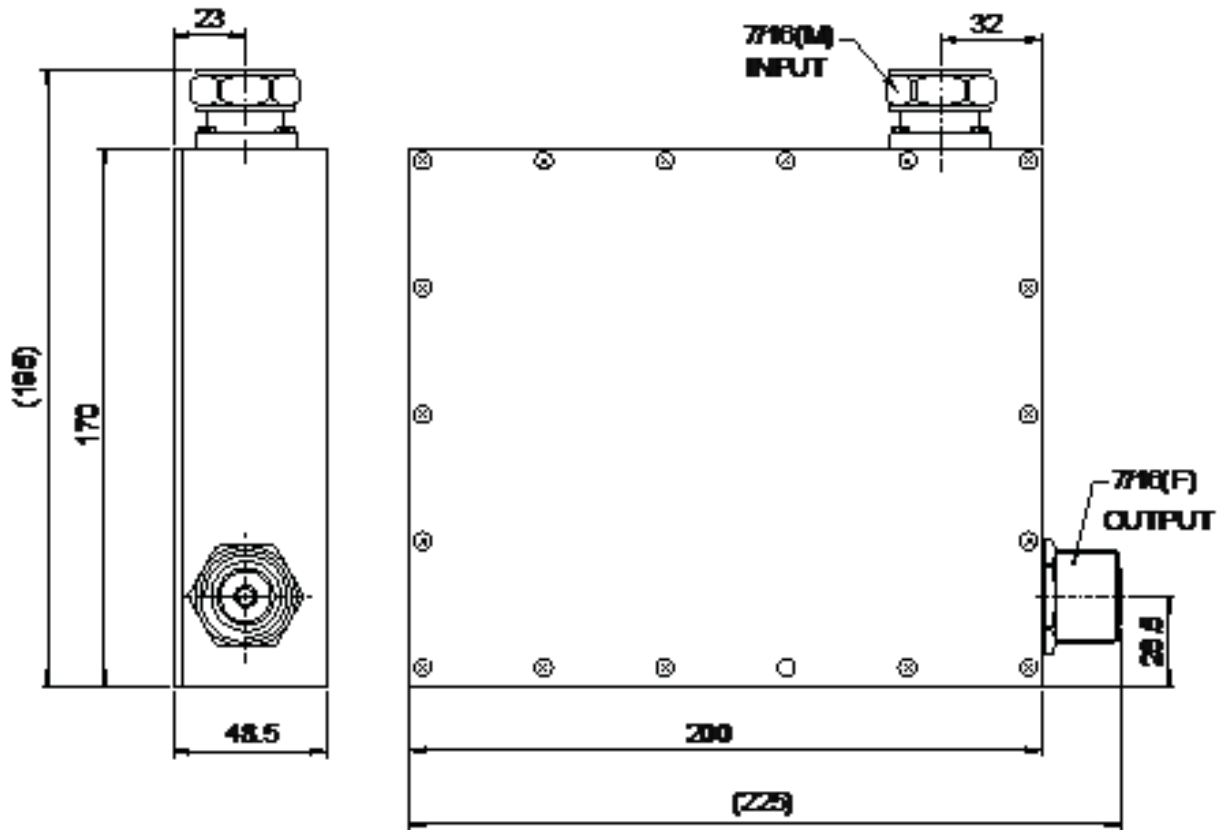
Attenuation Value	Connector Type (yyzz)	
	N Male to N Female (NMNF)	7/16-DIN Male to 7/16-DIN Female (DMDF)
6 dB (06)	AA-010-06-ML-NMNF-CC	AA-010-06-ML-DMDF-CC
10 dB (10)	AA-010-10-ML-NMNF-CC	AA-010-10-ML-DMDF-CC
20 dB (20)	AA-010-20-ML-NMNF-CC	AA-010-20-ML-DMDF-CC
30 dB (30)	AA-010-30-ML-NMNF-CC	AA-010-30-ML-DMDF-CC

Quoted performance parameters are provided to offer typical, peak or range values only and may vary as a result of normal testing, manufacturing and operational conditions. Extreme operational conditions and/or stress on structural supports is beyond our control. Such conditions may result in damage to this product. Improvements to products may be made without notice.

AA-010-xx-ML-yyzz-CC

10W Attenuator | Indoor Use

Dimensional Drawing



Quoted performance parameters are provided to offer typical, peak or range values only and may vary as a result of normal testing, manufacturing and operational conditions. Extreme operational conditions and/or stress on structural supports is beyond our control. Such conditions may result in damage to this product. Improvements to products may be made without notice.