

A-050xxMNyyzz-CC

50W Attenuator | Indoor / Outdoor Use

This model was previously released as AA-050-xx-ML-yyzz-CC



Electrical Characteristics					
Frequency Range	698-2700 MHz				
VSWR	≤ 1.25				
Power	50 W				
Attenuation Value (xx)	3 dB	6 dB	10 dB	20 dB	30 dB
Accuracy	±1.0 dB	±1.0 dB	±1.0 dB	±1.0 dB	±1.0 dB
PIM	≤ -150 dBc				
Impedance	50Ω				
Mechanical Characteristics					
Weight	4.9 kg				
Connector Type	See Ordering Options Below				
Environmental Characteristics					
Application	Indoor / Outdoor				
Operating Temperature	-30° C to +60° C				

Ordering Options

When ordering, select the Attenuation Value (xx), then select the Connector Type (yyzz).

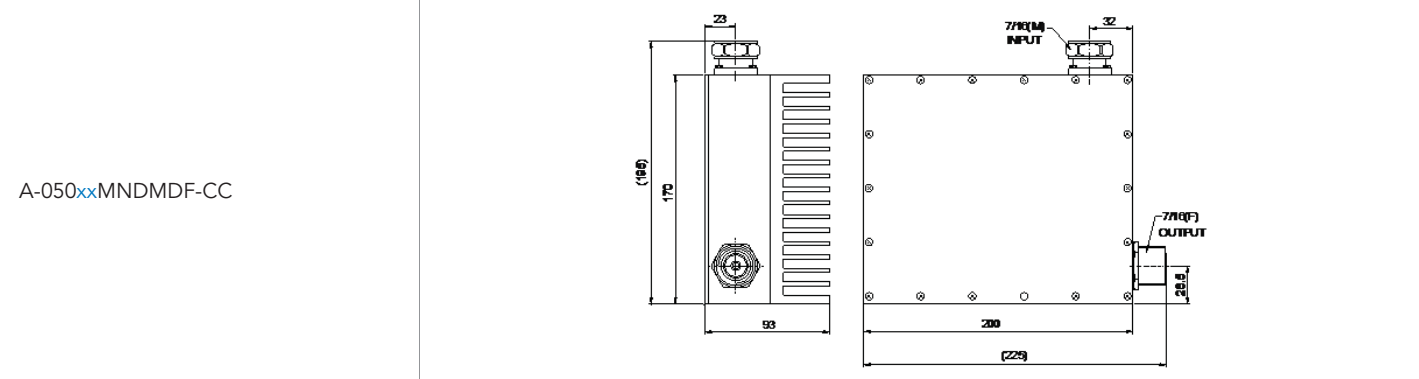
Attenuation Value	Connector Type (yyzz)	
	N Male to N Female	7/16-DIN Male to 7/16-DIN Female
3 dB (03)	A-05003MNNMNF-CC	A-05003MND MDF-CC
6 dB (06)	A-05006MNNMNF-CC	A-05006MND MDF-CC
10 dB (10)	A-05010MNNMNF-CC	A-05010MND MDF-CC
20 dB (20)	A-05020MNNMNF-CC	A-05020MND MDF-CC
30 dB (30)	A-05030MNNMNF-CC	A-05030MND MDF-CC

Quoted performance parameters are provided to offer typical, peak or range values only and may vary as a result of normal testing, manufacturing and operational conditions. Extreme operational conditions and/or stress on structural supports is beyond our control. Such conditions may result in damage to this product. Improvements to products may be made without notice.

A-050xxMNyyzz-CC

50W Attenuator | Indoor / Outdoor Use

Dimensional Drawings



Quoted performance parameters are provided to offer typical, peak or range values only and may vary as a result of normal testing, manufacturing and operational conditions. Extreme operational conditions and/or stress on structural supports is beyond our control. Such conditions may result in damage to this product. Improvements to products may be made without notice.