

6206100E

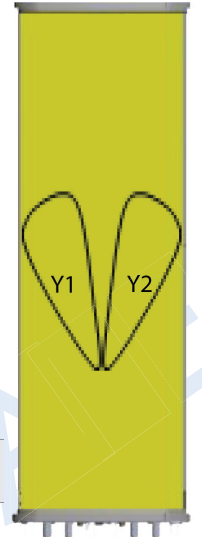
6206100EG 6206100EDx

TwinBeam

Mono Band | Twin Beam | 4-Port | Panel Antenna | 2x (X-Pol) | 30° | 1285 mm

- Mono band, Twin beam antenna, Dual polarisation, 4 connectors
- Independent tilt on each band 2-12°
- RET version, 3GPP/AISG2.0 with integrated RCU
- Mounting and downtilt brackets included

PRODUCT OVERVIEW	Frequency Range (MHz)	1695-2690	1695-2690
	Array	■ Y1	■ Y2
	Connector Position	1-2	3-4
	Polarization	XPOL	XPOL
	Azimuth Beamwidth	30°	30°
	Electrical Downtilt	2-12°	2-12°
	Dimensions	1285 x 398 x 159 mm	



ORDERING OPTIONS

Select from the different options listed below

SELECT ELECTRICAL DOWNTILT CONTROL & AISG PROTOCOL	SELECT ACTUATOR	SELECT CONNECTOR TYPE	ANTENNA MODEL NUMBER
Manual Electrical Tilt (MET)	---	4.3-10 Female	6206100E
Remote Electrical Tilt (RET) AISG v2.0 / 3GPP	Multi-Device Control Unit (MDCU)	4.3-10 Female	6206100EG
	Multi-Device Dual Unit (MDDU)	4.3-10 Female	6206100EDx*

*Pre-commissioned configuration; Contact Amphenol for further details.

ELECTRICAL SPECIFICATIONS

Ultra Wide Band ■ Y1, Y2

Frequency Range	MHz	1695-2690					
	MHz	1695-1880	1850-1990	1920-2180	2300-2400	2490-2690	
Polarization	---	±45°					
Gain	Over all Tilts	dBi	18.3	19.3	19.5	20.2	20.5
Azimuth Beamwidth	degrees	31.0 ± 3.0°	30.0 ± 3.0°	29.0 ± 3.0°	27.0 ± 2.0°	26.0 ± 2.0°	
Elevation Beamwidth	degrees	8.5° ± 0.5°	7.8° ± 0.5°	7.2° ± 0.5°	6.2° ± 0.5°	5.9° ± 0.5°	
Horizontal Beam Pointing	---	-29°, +29°	-28°, +28°	-27°, +27°	-26°, +26°	-25°, +25°	
Electrical Downtilt	degrees	2°-12°					
Impedance	Ohms	50					
VSWR	---	≤ 1.5					
Passive Intermodulation 3rd Order for 2 x 20W Carriers	dBc	< -153					
Front-to-Back Ratio, Total Power, ±30°	dB	> 28	> 29	> 30	> 32	> 32	
Horizontal Sidelobe Suppression	dB	> 15	> 15	> 15	> 15	> 15	
Upper Sidelobe Suppression, Peak to 20°	dB	> 15	> 15	> 15	> 15	> 15	
Cross Polar Discrimination @ Main Direction (0°)	dB	> 15	> 15	> 15	> 15	> 15	
Maximum Effective Power Per Port	Watts	200 W					
Cross Polar Isolation	dB	≥ 25					

Standard values based on NGMN-P-BASTA version 10.0 recommendation.



Several patents pending regarding this product. Quoted performance parameters are provided to offer typical, peak or range values only and may vary as a result of normal testing, manufacturing and operational conditions. Extreme operational conditions and/or stress on structural supports is beyond our control. Such conditions may result in damage to this product. Improvements to products may be made without notice.

6206100E

6206100EG 6206100EDx

Mono Band | Twin Beam | 4-Port | Panel Antenna | (2x) X-Pol | 30° | 1285 mm



ELECTRICAL DOWNTILT CONTROL

For multiband antennas, electrical downtilt for each band can be controlled separately.

Manual Electrical Tilt (MET) Control	A colored knob at the end of the tilt indicator allows change of the tilt without need of a tool. The knob color is identical to the corresponding connector color. The manual tilt 'override' function is always available with no need to remove the physical RET motor.
Remote Electrical Tilt (RET) Control	The remote control of the electrical tilt is managed by a Multi-Device Control Unit (MDCU) or a Multi-Device Dual Unit (MDDU) inserted in the bottom of the antenna. <i>See details below and refer to the ordering options to see which actuators are available with this particular antenna.</i> A single actuator individually controls the tilt of each band (no need for daisy chain cables between the bands). This module does not add any additional length to the antenna.

RET ACTUATOR

Amphenol's **RET-READY** antennas are delivered with the RET Actuator already installed and pre-commissioned with all antenna parameters. Every RET device is factory configured and calibrated so the antenna is ready to be used once delivered to the site which means that there is no need for further installation of RET devices or for programming their configuration or for running a calibration process.

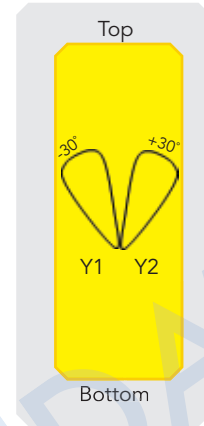
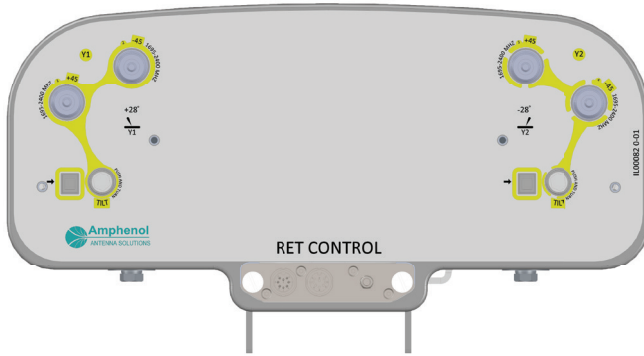
RET-READY ACTUATORS	Multi-Device Control Unit (MDCU). The MDCU is an electronic module that allows the remote control of the electrical downtilt (RET) in Amphenol antennas with factory embedded motors. The MDCU is factory installed. <i>Refer to the ORDERING OPTIONS for availability with this model.</i>	
	Multi-Device Dual Unit (MDDU). The MDDU allows two separate RET Controllers to independently drive the RETs in antennas with factory embedded motors (for antenna sharing or two technologies). The MDDU is factory installed. <i>Refer to the ORDERING OPTIONS for availability with this model.</i>	
Number of RET-READY Actuators		One per antenna
Input Voltage		+10 to +30 V
Power Consumption	Idle State (AISG P1)	0.5 W
	High Power Mode (AISG P2)	3 W
Protocol		3GPP/AISG 2.0
Tilt Change Duration		Less than 15 seconds, typical (may vary dependent on antenna type and outdoor temperature)
Precision		±0.5°
Tilt Change Capability		50,000 minimum
RET Interface	MDCU	One pair of AISG Male and Female (type IEC60130-9)
	MDDU	Two male AISG 8 pin connectors (type IEC60130-9 Ed 3.0)
Field Replaceable Unit		Yes

6206100E

6206100EG 6206100EDx

Mono Band | Twin Beam | 4-Port | Panel Antenna | (2x) X-Pol | 30° | 1285 mm

TwinBeam



ARRAY LAYOUT	ARRAY	FREQUENCY	CONNECTOR	CONNECTOR TYPE
	■ Y1	1695-2690	1-2	4.3-10 Female Standard Neck
	■ Y2	1695-2690	3-4	4.3-10 Female Standard Neck

Diagram shown at right depicts the view from the front of the antenna. The illustration is not shown to scale.

MECHANICAL SPECIFICATIONS

Length	mm (in)	1285 (50.5)
Width	mm (in)	398 (15.6)
Depth	mm (in)	159 (6.2)
Net Weight - Antenna Only	kg (lbs)	≈18 (39.6)
Mechanical Distance Between Mounting Points	mm (in)	Refer to Diagram
Survival Wind Speed	km/h (mph)	200 (124)
Radome Color	---	Gray RAL7035
Radome Material	---	Fiberglass

ENVIRONMENTAL SPECIFICATIONS

Environmental Standard	---	ETS 300 019
Lightning Protection	---	Direct Ground
Operating Temperature	° C (° F)	-40° to +60° (-40° to 140°)
Product Environmental Compliance	---	Product is RoHs Compliant

Several patents pending regarding this product. Quoted performance parameters are provided to offer typical, peak or range values only and may vary as a result of normal testing, manufacturing and operational conditions. Extreme operational conditions and/or stress on structural supports is beyond our control. Such conditions may result in damage to this product. Improvements to products may be made without notice.

6206100E

6206100EG 6206100EDx

TwinBeam

Mono Band | Twin Beam | 4-Port | Panel Antenna | (2x) X-Pol | 30° | 1285 mm

ACCESSORIES All accessories are ordered separately unless otherwise indicated

ITEM	MODEL NUMBER	WEIGHT
Brackets for pole Ø48 to Ø115 mm (Ø1.9 to Ø4.5 in) delivered as standard	IA00181	3.4 kg (7.5 lbs)
Kit to add mechanical tilt (0° to 10°) to above brackets optional	0900397/00	3.0 kg (6.6 lbs)

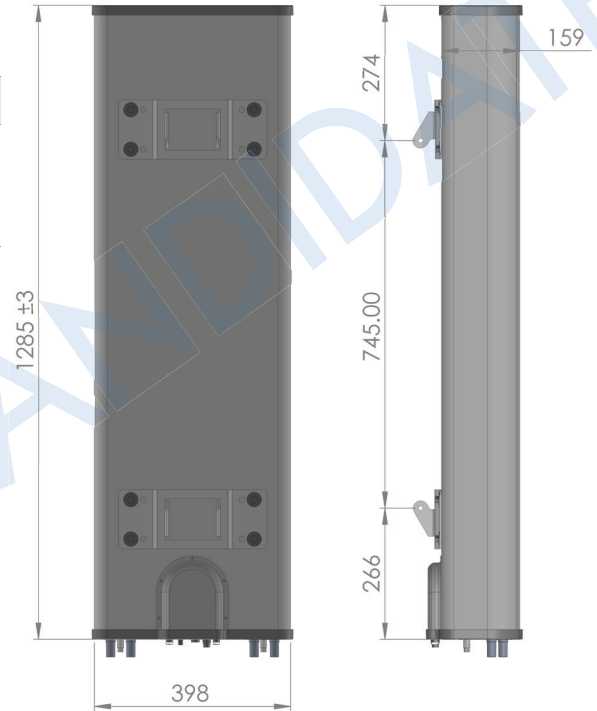
Wall mounting brackets are available upon request

INSTALLATION Please read all installation notes before installing this product.



Always attach the antenna by all mounting points.

Do not install the antenna with the connectors facing upwards.



Several patents pending regarding this product. Quoted performance parameters are provided to offer typical, peak or range values only and may vary as a result of normal testing, manufacturing and operational conditions. Extreme operational conditions and/or stress on structural supports is beyond our control. Such conditions may result in damage to this product. Improvements to products may be made without notice.