

5825388NF00

2-Band, 4-Port, 65°, XPOL, Panel Antenna, Fixed Tilt, 350 mm

- Dual band antenna, dual polarisation, 4 connectors
- Fixed Tilt

ACCESS PORT DESCRIPTION (CONNECTORS)		
The antenna has 4 colour-coded connectors located at the bottom face.		
Frequency Designation	R1	Y1
Frequency Range	698-960 MHz	1710-2690 MHz
Polarisation	Xpol	Xpol
Horizontal Beamwidth	65°	65°
Fixed Electrical Downtilt	0°	0°
Connector Type	(2x) 4.3-10 Female	(2x) 4.3-10 Female

ELECTRICAL CHARACTERISTICS		R1		
Frequency Bands		698-960 MHz		
		698-806 MHz	790-894 MHz	880-960 MHz
Gain	at Mid Tilt	8.5 dBi	9.0 dBi	9.3 dBi
	Over All Tilts	8.5 ± 1.0 dBi	9.0 ± 1.0 dBi	9.2 ± 1.0 dBi
Input Impedance		50Ω		
VSWR		< 1.5		
Polarisation		±45°		
Horizontal Beamwidth (-3 dB)		69° ± 5.0°	69° ± 5.0°	69° ± 5.0°
Vertical Beamwidth (-3 dB)		65° ± 5.0°	62° ± 5.0°	62° ± 5.0°
Fixed Electrical Downtilt		0°		
Inter Band Isolation		> 25 dB		
Cross-Polar Isolation		≥ 25 dB		
Port-to-Port Isolation		> 25 dB		
Front-to-Back Ratio (@ 180° ± 30°)		> 22 dB	> 22 dB	> 22 dB
Cross Polar Ratio	Main Direction (0°)	> 15 dB	> 15 dB	> 15 dB
	Sector Edges (±60°)	> 8 dB	> 8 dB	> 8 dB
Maximum Average Power Per Port (50° C Ambient Temperature)		250 W		
Intermodulation 3rd Order, 2 x 43 dBm Carrier		< -150 dBc		

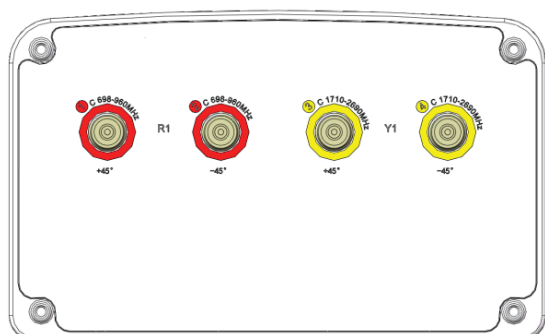


Several patents pending regarding this product. Quoted performance parameters are provided to offer typical, peak or range values only and may vary as a result of normal testing, manufacturing and operational conditions. Extreme operational conditions and/or stress on structural supports is beyond our control. Such conditions may result in damage to this product. Improvements to products may be made without notice.

5825388NF00

2-Band, 4-Port, 65°, XPOL, Panel Antenna, Fixed Tilt, 350 mm

ELECTRICAL CHARACTERISTICS		Y1				
Frequency Bands		1710-2690 MHz				
		1710-1880 MHz	1850-1990 MHz	1920-2170 MHz	2300-2400 MHz	2500-2690 MHz
Gain	at Mid Tilt	12.0 dBi	12.0 dBi	12.2 dBi	12.4 dBi	12.5 dBi
	Over All Tilts	12.0 ± 1.0 dBi	12.0 ± 1.0 dBi	12.2 ± 0.4 dBi	12.4 ± 1.0 dBi	12.5 ± 1.0 dBi
Input Impedance		50Ω				
VSWR		< 1.5				
Polarisation		±45°				
Horizontal Beamwidth (-3 dB)		67° ± 10°	67° ± 10°	67° ± 10°	67° ± 10°	67° ± 10°
Vertical Beamwidth (-3 dB)		41° ± 6°	41° ± 6°	41° ± 6°	33° ± 6°	33° ± 6°
Fixed Electrical Downtilt		0°				
Inter Band Isolation		> 25 dB				
Cross-Polar Isolation		≥ 25 dB				
Port-to-Port Isolation		> 25 dB				
First Upper Sidelobe Suppression		> 14 dB	> 14 dB	> 14 dB	> 14 dB	> 14 dB
Front-to-Back Ratio (@ 180° ± 30°)		> 22 dB	> 24 dB	> 24 dB	> 24 dB	> 24 dB
Cross Polar Ratio	Main Direction (0°)	> 15 dB	> 15 dB	> 15 dB	> 15 dB	> 15 dB
	Sector Edges (±60°)	> 5.0 dB	> 5.0 dB	> 5.0 dB	> 5.0 dB	> 5.0 dB
Maximum Average Power Per Port (50° C Ambient Temperature)		250 W				
Intermodulation 3rd Order, 2 x 43 dBm Carrier		< -150 dBc				



ARRAY LAYOUT	ARRAY	FREQUENCY	CONNECTOR	CONNECTOR TYPE
	R1	698-960	1-2	4.3-10 Female
	Y1	1710-2690	3-4	4.3-10 Female



Diagram shown at right depicts the view from the front of the antenna. The illustration is not shown to scale.

Several patents pending regarding this product. Quoted performance parameters are provided to offer typical, peak or range values only and may vary as a result of normal testing, manufacturing and operational conditions. Extreme operational conditions and/or stress on structural supports is beyond our control. Such conditions may result in damage to this product. Improvements to products may be made without notice.

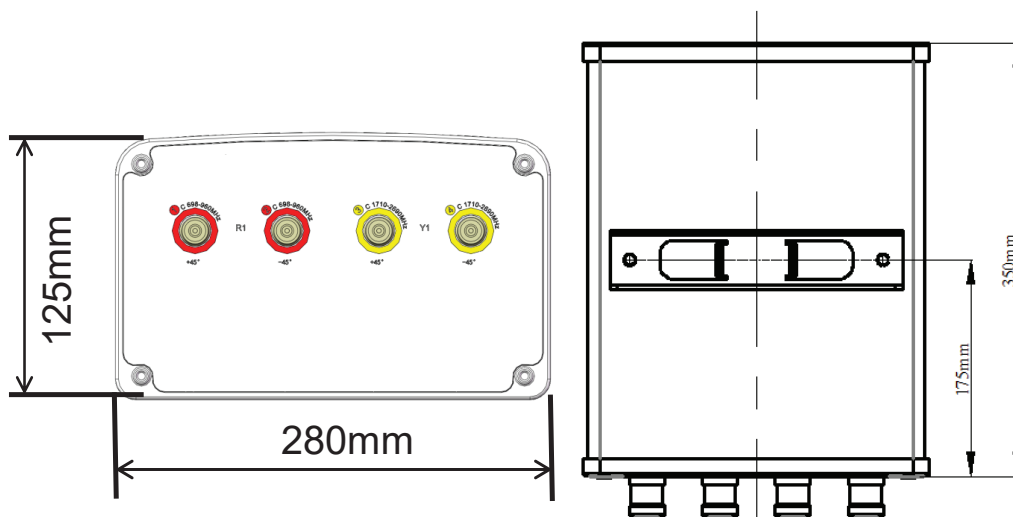
5825388NF00

2-Band, 4-Port, 65°, XPOL, Panel Antenna, Fixed Tilt, 350 mm

ENVIRONMENTAL CHARACTERISTICS	
Operating Temperature Range	-10° C to +60° C
Operating Humidity	95%
Lightning Protection	DC Ground

MECHANICAL CHARACTERISTICS		PACKAGING
Dimensions (Height x Width x Depth)	350 x 280 x 125 mm (13.7 x 11.0 x 4.9 in)	Carton Box 0.515 x 0.375 x 0.230 m (20.2 x 14.7 x 9.0 in)
Antenna Weight (without mounting brackets)	3 kg (6.6 lbs)	
Shroud Material	Fiberglass	
Survival Wind Speed	200 km/h (124.2 mph)	
Wind Load at 150 km/h	Frontal	
	Rear	100 N (22.4 lbf)
	Lateral	50 N (11.2 lbf)

MOUNTING KIT OPTIONS	MECHANICAL TILT RANGE
All mounting bracket kits are ordered separately unless otherwise indicated.	
Brackets for pole Ø50 to Ø125 mm (included)	0°-25°



Several patents pending regarding this product. Quoted performance parameters are provided to offer typical, peak or range values only and may vary as a result of normal testing, manufacturing and operational conditions. Extreme operational conditions and/or stress on structural supports is beyond our control. Such conditions may result in damage to this product. Improvements to products may be made without notice.