

4U4MTSP1X06F_{xy}s0

PSEUDO OMNI / SECTOR | CANISTER ANTENNA | X-POL | FIXED TILT | 610 MM (24.0 IN)

Features

- Pseudo Omni / Sector configuration with 24 connectors
- Utilize 4x4 MIMO on *both* the sectorized and pseudo omni mid bands
- Ideal for Small Cell / DAS applications
- This antenna meets the requirements of the U-NII
- Available for order with a grey, brown or black radome



Connector Description

The antenna has 24 connectors located at the bottom.

Mid Band	■ Y1, ■ Y2, ■ Y3, ■ Y4, ■ Y5, ■ Y6	Sectorized	1695-2700 MHz	(12x) 4.3-10 Female
Mid Band	■ Y7, ■ Y8	Pseudo Omni	1695-2700 MHz	(4x) 4.3-10 Female
High Band	■ P1, ■ P2	Pseudo Omni	3550-3700 MHz	(4x) 4.3-10 Female
High Band	■ O1, ■ O2	Pseudo Omni	5150-5925 MHz	(4x) 4.3-10 Female

Electrical Characteristics		■ Y1, ■ Y2, ■ Y3, ■ Y4, ■ Y5, ■ Y6, ■ Y7, ■ Y8				■ P1 ■ P2	■ O1 ■ O2
Frequency Bands (MHz)		(4x) 1695-2700				(2x) 3550-3700	(2x) 5150-5925
		1695-1880	1850-1990	1920-2200	2300-2700		
Polarization		(4x) ±45°				(2x) ±45°	(2x) ±45°
Horizontal Beamwidth	Pseudo Omni	360°	360°	360°	360°	360°	360°
	Sector	94.2° ± 18.9°	89.0° ± 15.8°	87.2° ± 8.6°	74.4° ± 13.9°	---	---
Vertical Beamwidth		22.2° ± 5.4°	21.0° ± 4.0°	20.1° ± 4.0°	16.6° ± 3.4°	39.9° ± 7.5°	23.2° ± 4.3°
Gain	Pseudo Omni	8.8 ± 0.5 dBi	8.8 ± 0.5 dBi	9.0 ± 0.6 dBi	9.2 ± 0.7 dBi	5.0 ± 0.7 dBi	Avg. 5.1 dBi Max. 5.8 dBi
	Sector	12.4 ± 1.2 dBi	12.9 ± 1.2 dBi	13.1 ± 1.1 dBi	13.7 ± 1.1 dBi	---	---
Electrical Downtilt (°)		(x) 2, 4, 6				(y) 0	(y) 0
Impedance		50Ω				50Ω	50Ω
VSWR		≤ 1.5:1				≤ 1.5:1	≤ 1.5:1
Upper Sidelobe Suppression		> 14 dB				N/A	> 14 dB
Isolation	Intraband	25 dB				25 dB	25 dB
	Interband	28 dB				28 dB	28 dB
IM3 (2x20W carrier)		< -153 dBc				N/A	N/A
Input Power		(16x) 300 W				(4x) 100 W	(4x) 50 W
U-NII Compliant		---				---	Yes
Number of Sectors, Pattern Shape		3 Sectors / Pseudo Omni & Sectorized					
Lightning Protection		Direct Ground					

Mechanical Characteristics

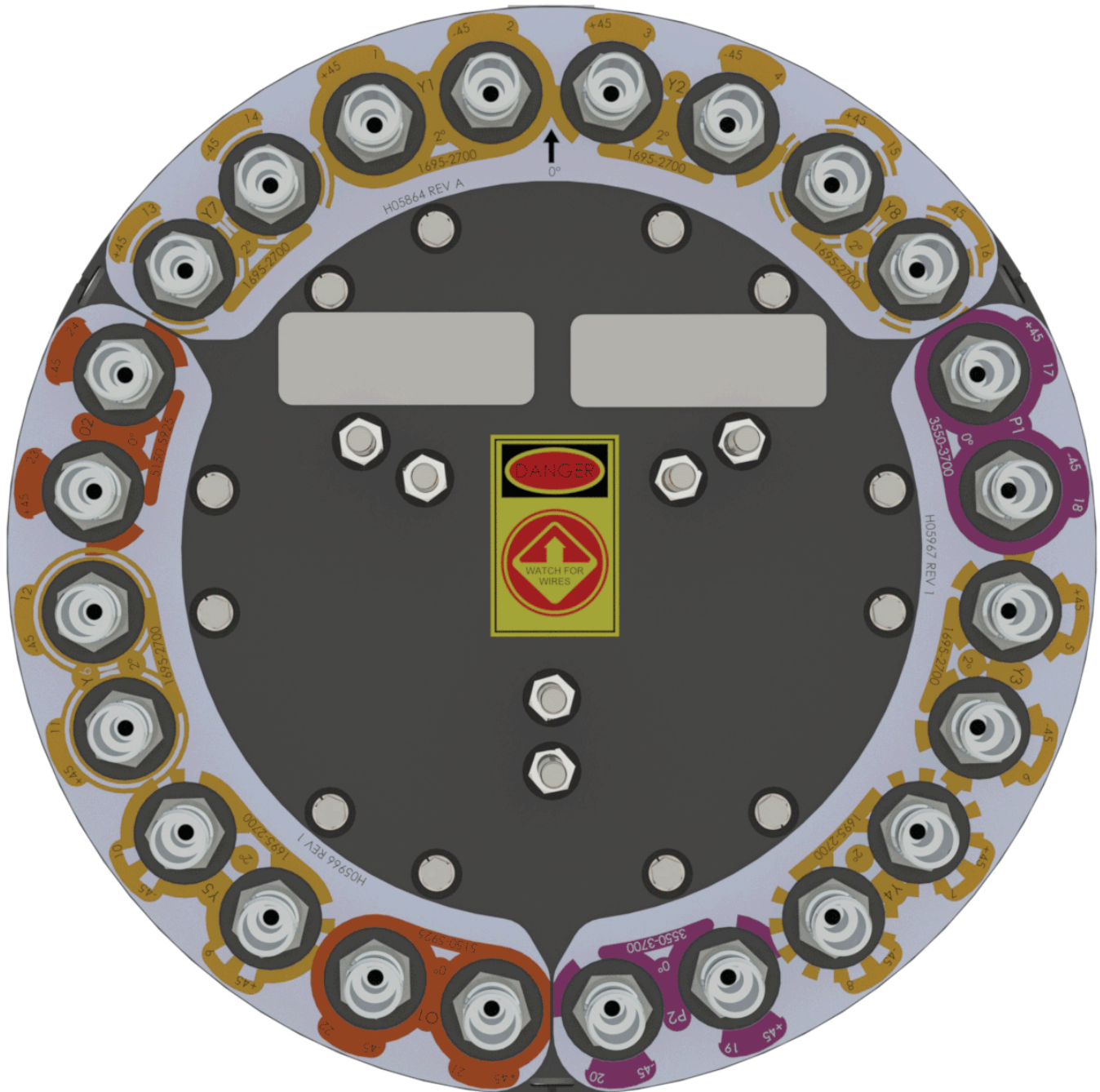
Antenna Dimensions (Height x Diameter)	610 x 371 mm	24.0 x 14.6 in
Weight without Mounting Bracket Kit	13.6 kg	30 lbs
Antenna Volume	0.07 m ³	2.3 ft ³
Survival Wind Speed	241 km/hr	150 mph
Wind Area	0.22 m ²	2.4 ft ²
Wind Load (160 km/hr or 100 mph)	191 N	43 lbf

Quoted performance parameters are provided to offer typical, peak or range values only and may vary as a result of normal testing, manufacturing and operational conditions. Extreme operational conditions and/or stress on structural supports is beyond our control. Such conditions may result in damage to this product. Improvements to products may be made without notice.

4U4MTSP1X06F_{xy}s0

PSEUDO OMNI / SECTOR | CANISTER ANTENNA | X-POL | FIXED TILT | 610 MM (24.0 IN)

Bottom View - Labeling

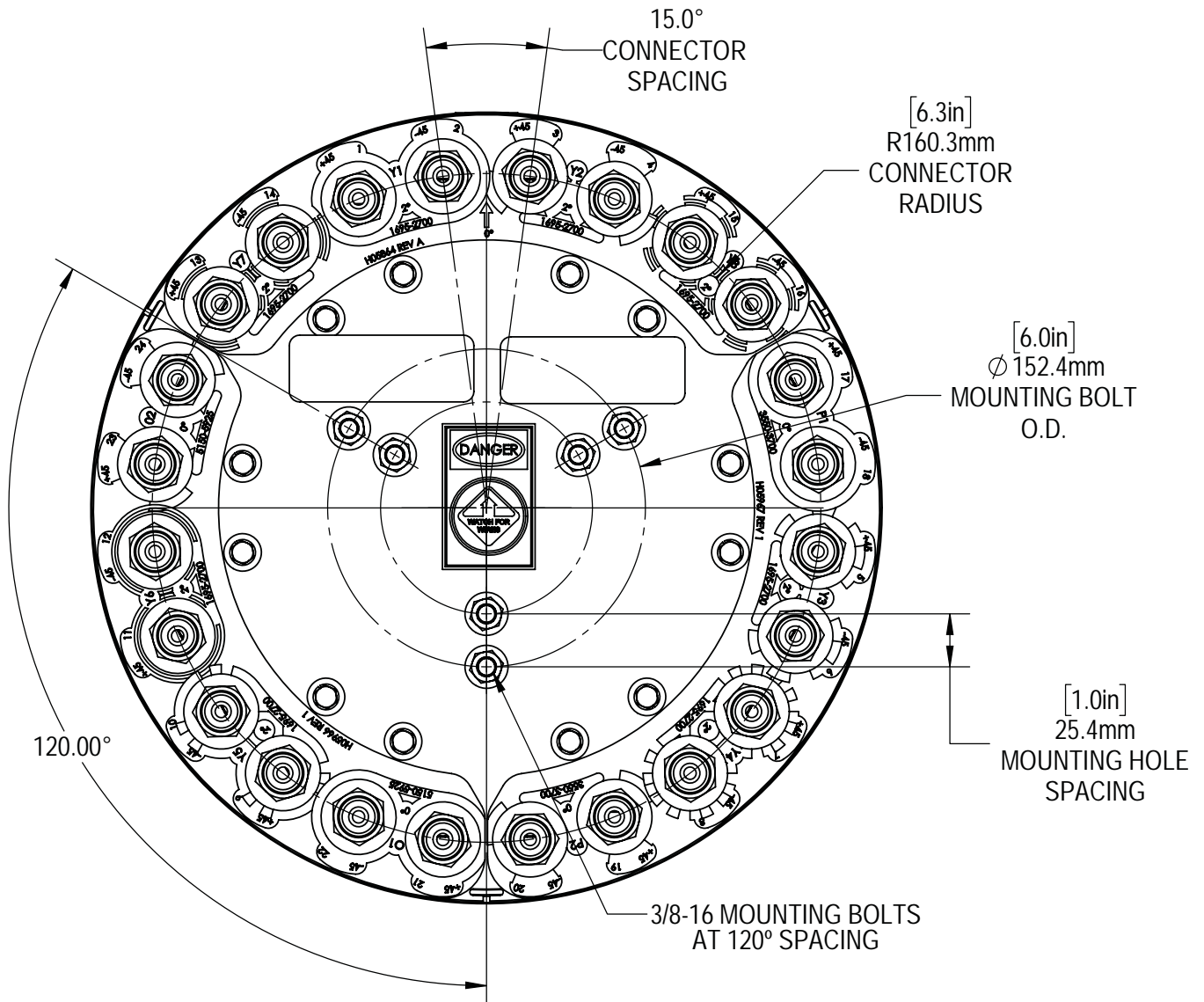


Quoted performance parameters are provided to offer typical, peak or range values only and may vary as a result of normal testing, manufacturing and operational conditions. Extreme operational conditions and/or stress on structural supports is beyond our control. Such conditions may result in damage to this product. Improvements to products may be made without notice.

4U4MTSP1X06F_{xy}s0

PSEUDO OMNI / SECTOR | CANISTER ANTENNA | X-POL | FIXED TILT | 610 MM (24.0 IN)

Bottom View - Connector Diagram



Quoted performance parameters are provided to offer typical, peak or range values only and may vary as a result of normal testing, manufacturing and operational conditions. Extreme operational conditions and/or stress on structural supports is beyond our control. Such conditions may result in damage to this product. Improvements to products may be made without notice.

4U4MTSP1X06F_{xy}s0

PSEUDO OMNI / SECTOR | CANISTER ANTENNA | X-POL | FIXED TILT | 610 MM (24.0 IN)





Ordering Options

When ordering, select the Radome Color and Degree of Electrical Downtilt (**xy**) for each band.

Radome Color	Electrical Downtilt Degree		Model Number
	Y1 Y2 Y3 Y4 Y5 Y6 Y7 Y8 (x)	P1 P2 O1 O2 (y)	
Grey Pantone 420 C	2°	0°	4U4MTSP1X06F 20 s0
	4°	0°	4U4MTSP1X06F 40 s0
	6°	0°	4U4MTSP1X06F 60 s0
Brown Pantone 476 C	2°	0°	4U4MTSP1X06F 20s0BR
	4°	0°	4U4MTSP1X06F 40s0BR
	6°	0°	4U4MTSP1X06F 60s0BR
Black RAL 9011	2°	0°	4U4MTSP1X06F 20s0BK
	4°	0°	4U4MTSP1X06F 40s0BK
	6°	0°	4U4MTSP1X06F 60s0BK

Mounting Kits

This antenna can be mounted using any of the following mounting kits. Mounting kits must be ordered separately.

Side Mounting Bracket Kit	Top Mounting Bracket Kit	Utility Pole Mounting Bracket Kit	Wide Diameter Pole Top Mounting Bracket Kit
CWT-MKS-SIDE	CWT-MKS-TOP	WB3X-MKS-01	CWT-MKS-BASE-xx
			

Quoted performance parameters are provided to offer typical, peak or range values only and may vary as a result of normal testing, manufacturing and operational conditions. Extreme operational conditions and/or stress on structural supports is beyond our control. Such conditions may result in damage to this product. Improvements to products may be made without notice.