

7824450

Single Band | Microcell Panel | X-Pol | 80° / 70° | 11.0 / 12.6 dBi

- Ultra-wideband indoor/outdoor microcell panel
- Meets ICNIRP testing without the need for an additional shroud
- Ideal for mobile in-fill applications
- Long body “N” connectors to enable weather-proofing
- 7824550 model includes over-shroud



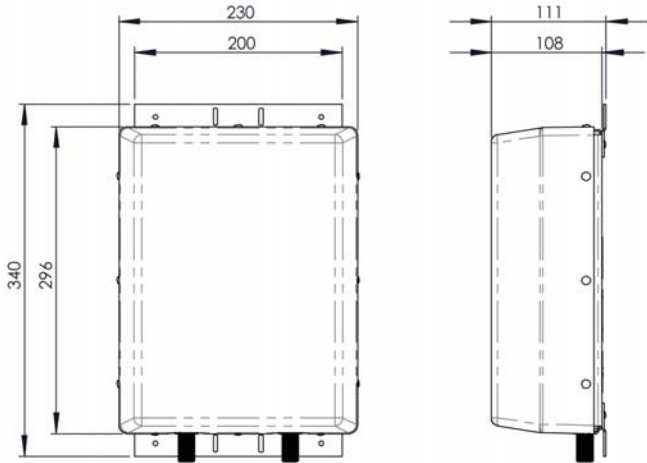
Electrical Characteristics	1695-2700 MHz	
Frequency Band	1695-2170 MHz	2170-2700 MHz
Polarisation	±45°	±45°
Horizontal Beamwidth	83-63°	70-62°
Vertical Beamwidth	35-24°	27-20°
Gain	8.9 dBd (11.0 dBi)	10.4 dBd (12.6 dBi)
Impedance	50Ω	
VSWR (Return Loss)	< 1.6:1 max (< -12.7 dB)	
Inter-Port Isolation (Tx Bands)	-24 dB max, > -25 dB Typical	
PIM (2x20W)	< -150 dBc	
Front-to-Back Ratio	> 20 dB	
Input Power (Per Port)	100 W	
Connector(s) / Location	(2x) N-Female / Bottom	
Mechanical Characteristics		
Radome colour	White	
Dimensions (Height x Width x Depth)	296 x 230 x 112 mm	11.7 x 9.1 x 4.4 in
Weight without Mounting Brackets	1.6 kg	3.5 lbs
Wind Load @ 160 km/hr (100 mph)	75 N	16.9 lbf
Mounting Options		
Mounting Interface	Plate top and bottom / slits for jubilee clamp. Comes complete with wall fixings.	
Over-Shroud for Safety Compliance	XSL9254929 (Included with 7824550 model)	
Over-Shroud Colour	Grey (RAL7035)	

Quoted performance parameters are provided to offer typical, peak or range values only and may vary as a result of normal testing, manufacturing and operational conditions. Extreme operational conditions and/or stress on structural supports is beyond our control. Such conditions may result in damage to this product. Improvements to products may be made without notice.

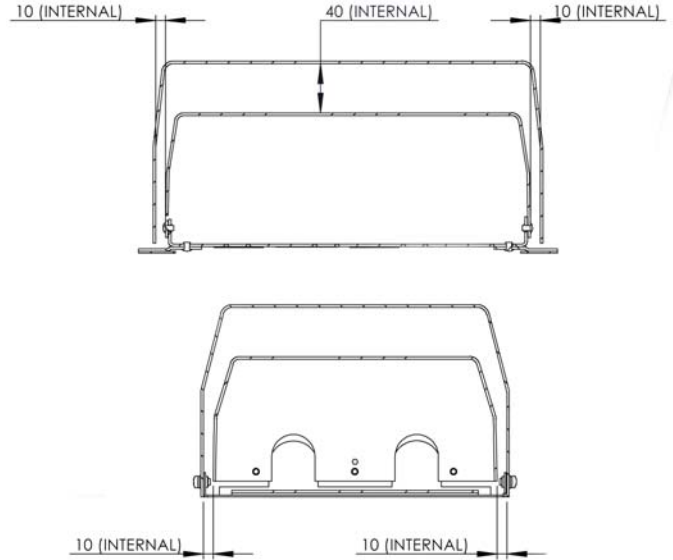
7824450

Single Band | Microcell Panel | X-Pol | 80° / 70° | 11.0 / 12.6 dBi

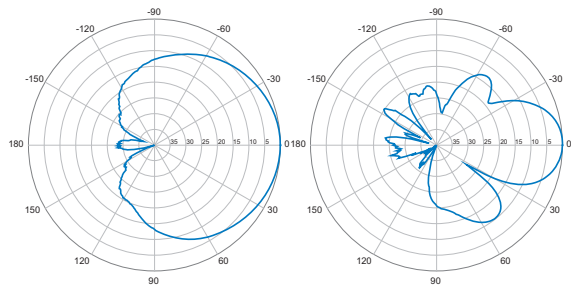
Dimensions (mm)



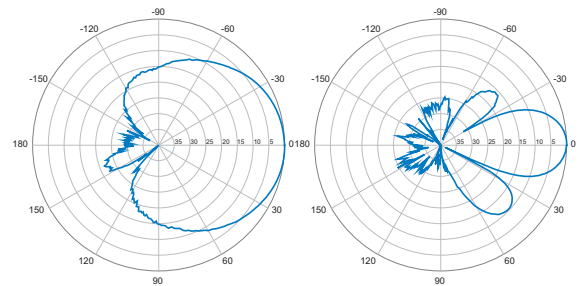
Gap Measurement Between Antenna and Over-Shroud (mm)



1695-2170 MHz



2170-2700 MHz



Horizontal | 1900 MHz

Vertical | 1900 MHz

Horizontal | 2400 MHz

Vertical | 2400 MHz

Quoted performance parameters are provided to offer typical, peak or range values only and may vary as a result of normal testing, manufacturing and operational conditions. Extreme operational conditions and/or stress on structural supports is beyond our control. Such conditions may result in damage to this product. Improvements to products may be made without notice.