

DPX-02xS

698-960/1710-2170 MHz | Single and Dual Units | Indoor/Outdoor

- Combines 698-960 MHz and 1710-2170 MHz frequency bands
- Suitable for UMTS and LTE systems, BTS or antenna end of feeder
- DC/AISG bypass field settable
- Built-in lightning protection

Ordering Options		Model Number
Single Unit		DPX-021S
Dual Unit		DPX-022S
Electrical Characteristics		
700/850/900 MHz Channel		
Passband		698-960 MHz
Insertion Loss	maximum	0.2 dB
	typical	0.11 dB
Return Loss (all ports, typical)		24 dB
Phase Linearity Variation (max over any 180kHz within the passband)		0.1°
Group Delay Variation (max over any 180kHz within the passband)		0.1ns
1710-2170 MHz Channel		
Passband		1710-2170 MHz
Insertion Loss	maximum	0.2 dB
	typical	0.12 dB
Return Loss (all ports, typical)		24 dB
Phase Linearity Variation (max over any 180kHz)		1°
Group Delay Variation (max over any 180kHz within the passband)		0.1ns
General		
Isolation (698-960 port to 1710-2170 port)	typical	70 dB
	minimum	50 dB
Maximum Input Power		500W (avg) / 5kW (PEP)
Intermodulation (2x20W carriers in RX band, max all ports)		-155 dBc
DC/AISG Single DC Pass		
A field selectable DC/AISG path is achieved via mechanical links on a IEC60130-9, 8-pin female connector (see mechanical diagram). It is recommended, due to AISG link budget reasons, that a maximum of 2 DC/AISG paths are activated simultaneously without active repeating of the AISG signal.		
Passband		0-3 MHz
Insertion Loss	Single DC/AISG Bypass	1 dB (max)
	Two DC/AISG Bypass	4.5 dB (typ)
Return Loss	Single DC/AISG Bypass	12 dB (min)
	Two DC/AISG Bypass	9 dB (typ)
Input Voltage Range		± 31 V
DC Current Rating	Continuous	2A
	Peak	4A
Environmental Characteristics		
Temperature Range		-40° to +65° C -40° to +149° F
Ingress Protection		IP67
Lightning Protection (RF Ports)		±5kA max (8/20µs), IEC61312-1
MTBF		>1,000,000 hours
Compliance		EMC: EN301 489, ETSI EN 300 019 class 4.1, RoHS

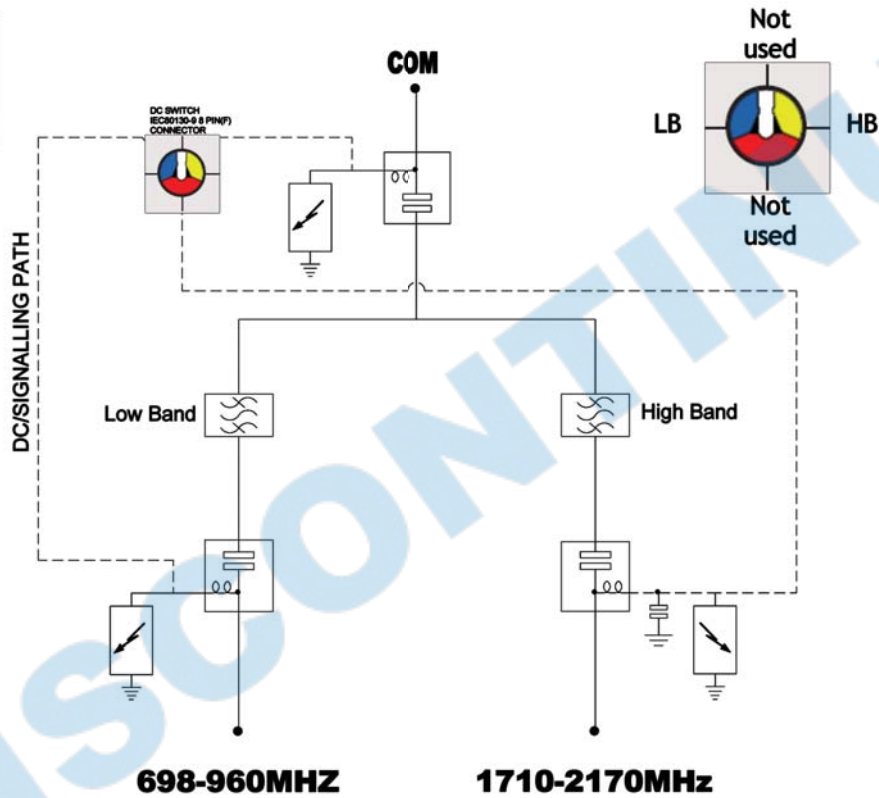


Quoted performance parameters are provided to offer typical or range values only and may vary as a result of normal manufacturing and operational conditions. Extreme operational conditions and/or stress on structural supports is beyond our control. Such conditions may result in damage to this product. Improvements to product may be made without notice.

DPX-02xS

698-960/1710-2170 MHz | Single and Dual Units | Indoor/Outdoor

Mechanical Characteristics		
Dimensions (Height x Width x Depth)	170 x 150 x 62 mm	6.7 x 5.9 x 2.4 in
Weight (estimated)	3.0 kg	6.6 lbs
Finish	Painted, light grey (RAL7035)	
Connectors (RF)	3 / 7-16 DIN / Female / Long Neck	
Mounting Options		
Pole/Wall Mount Brackets	45-178 mm	1.8-7.0 in
Electrical Block Diagram		



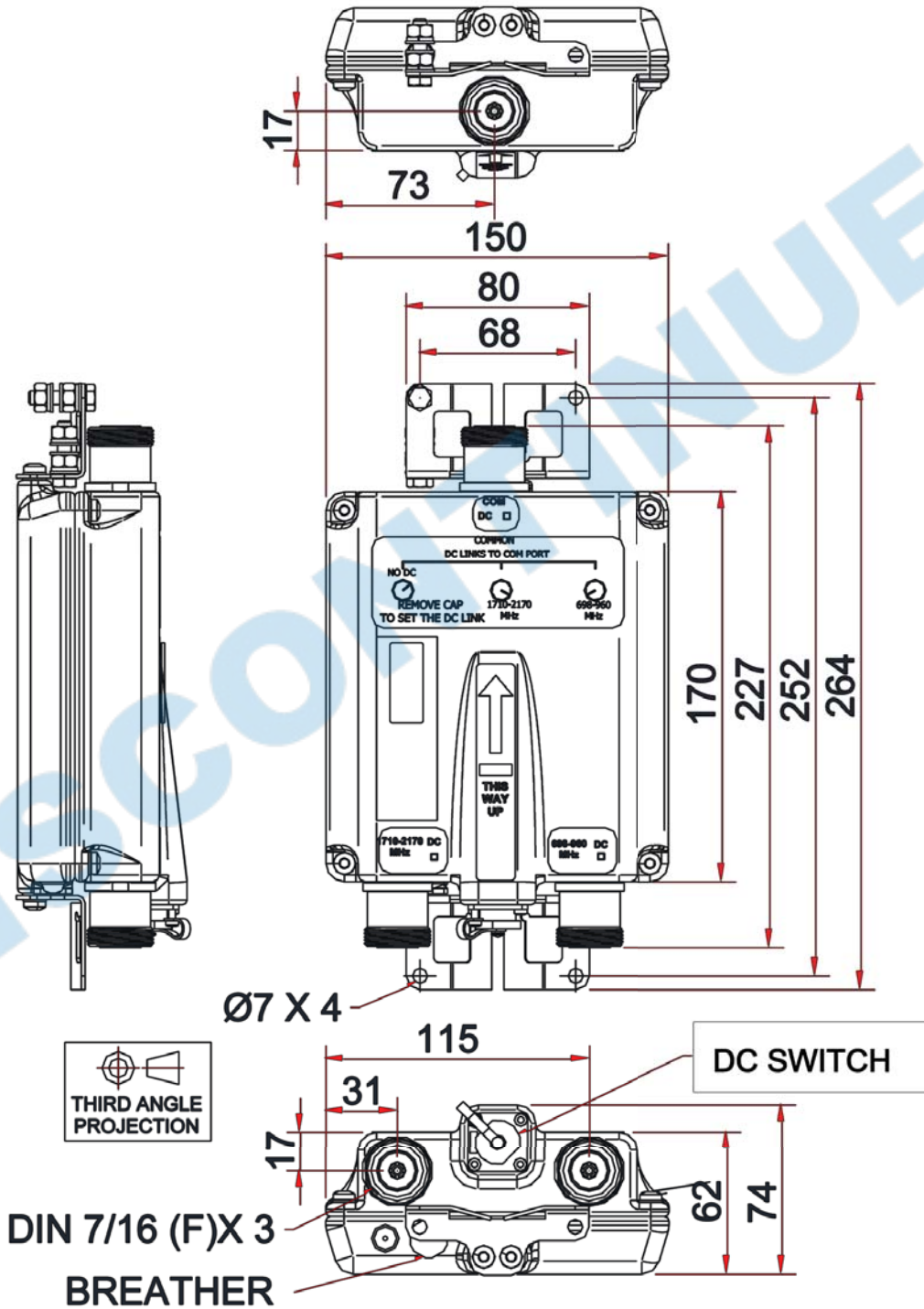
DISCONTINUED

Quoted performance parameters are provided to offer typical or range values only and may vary as a result of normal manufacturing and operational conditions. Extreme operational conditions and/or stress on structural supports is beyond our control. Such conditions may result in damage to this product. Improvements to product may be made without notice.

DPX-02xS

698-960/1710-2170 MHz | Single and Dual Units | Indoor/Outdoor

Mechanical Diagram | Single Unit

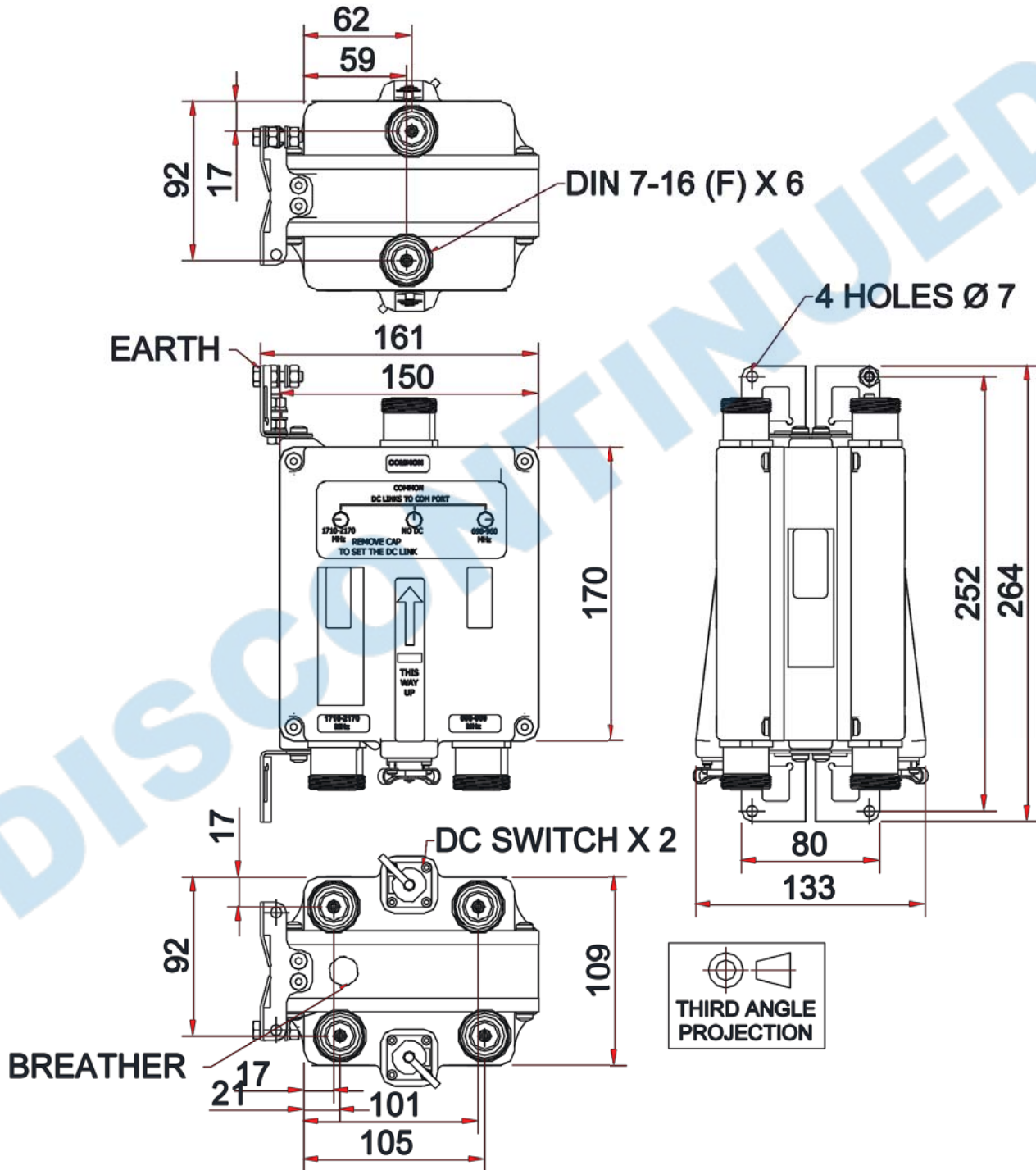


Quoted performance parameters are provided to offer typical or range values only and may vary as a result of normal manufacturing and operational conditions. Extreme operational conditions and/or stress on structural supports is beyond our control. Such conditions may result in damage to this product. Improvements to product may be made without notice.

DPX-02xS

698-960/1710-2170 MHz | Single and Dual Units | Indoor/Outdoor

Mechanical Diagram | Dual Unit



Quoted performance parameters are provided to offer typical or range values only and may vary as a result of normal manufacturing and operational conditions. Extreme operational conditions and/or stress on structural supports is beyond our control. Such conditions may result in damage to this product. Improvements to product may be made without notice.