

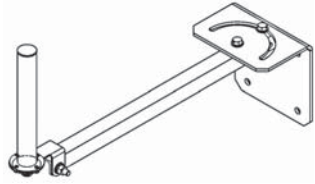
CWV360X0405F000

Dual Band | Omni Antenna | VV-Pol | 360° / 360° | 4.1 / 5.1 dBi | Fixed Tilt

- Dual Band Omni-Directional Antenna
- Ideal solution for InBuilding and DAS applications

Electrical Characteristics	696-960 MHz		1710-2170 MHz		
	Frequency Bands (MHz)	696-806	806-960	1710-1880	1850-1990
Polarization	Vertical				
Horizontal Beamwidth	360°	360°	360°	360°	360°
Vertical Beamwidth	43°	44°	26°	27°	22°
Gain	3.9 dBi	4.1 dBi	4.7 dBi	4.9 dBi	5.1 dBi
Electrical Downtilt	0°		0°		
Impedance	50 Ω		50 Ω		
VSWR	1.6:1		1.6:1		
IM3 (2x20W Carrier)	< -140 dBc				
Input Power	200 W		200 W		
Lightning Protection	Direct Ground				
Connector(s)	1 port / 7/16-DIN / Female / Bottom				

Mechanical Characteristics		
Dimensions (Length x Diameter)	509 x Ø65 mm	20.0 x Ø2.6 in
Antenna Weight	0.83 kg	1.82 lbs
Survival Wind Speed	201 km/hr	125 mph
Wind Area	0.03 m ²	0.36 ft ²
Wind Load @ 160 km/hr (100 mph)	47 N	11 lbf

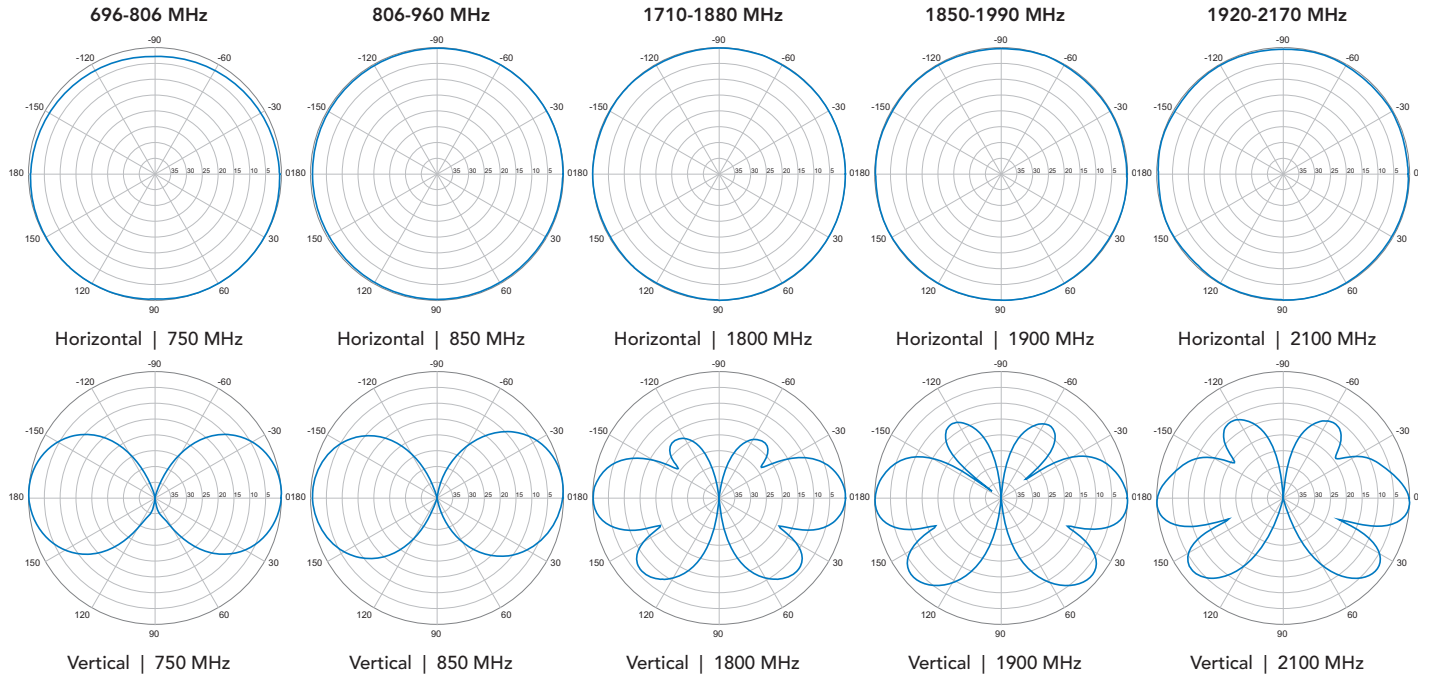
Mounting Options	Image	Part Number
Universal Wall / Ceiling Mounting Kit		505-173-5-003



Quoted performance parameters are provided to offer typical or range values only and may vary as a result of normal manufacturing and operational conditions. Extreme operational conditions and/or stress on structural supports is beyond our control. Such conditions may result in damage to this product. Improvements to product may be made without notice.

CWV360X0405F000

Dual Band | Omni Antenna | VV-Pol | 360° / 360° | 4.1 / 5.1 dBi | Fixed Tilt



Quoted performance parameters are provided to offer typical or range values only and may vary as a result of normal manufacturing and operational conditions. Extreme operational conditions and/or stress on structural supports is beyond our control. Such conditions may result in damage to this product. Improvements to product may be made without notice.