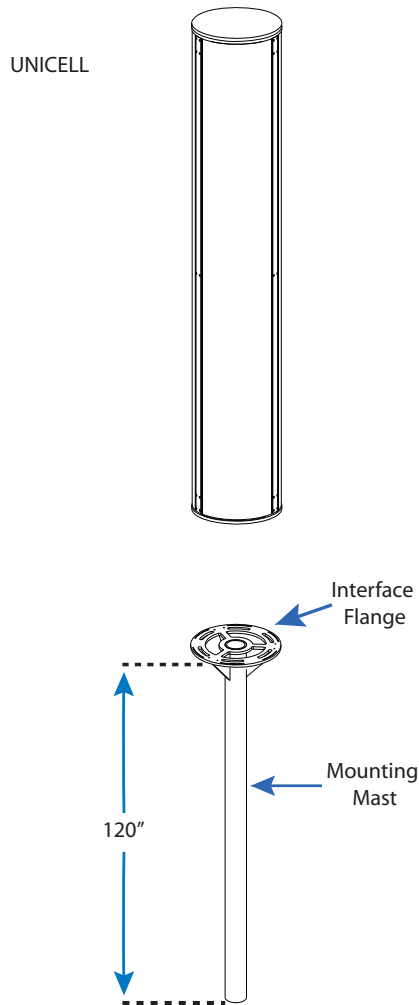


UNICELL Mounting Options

Mounting Masts and Cable Access Canisters

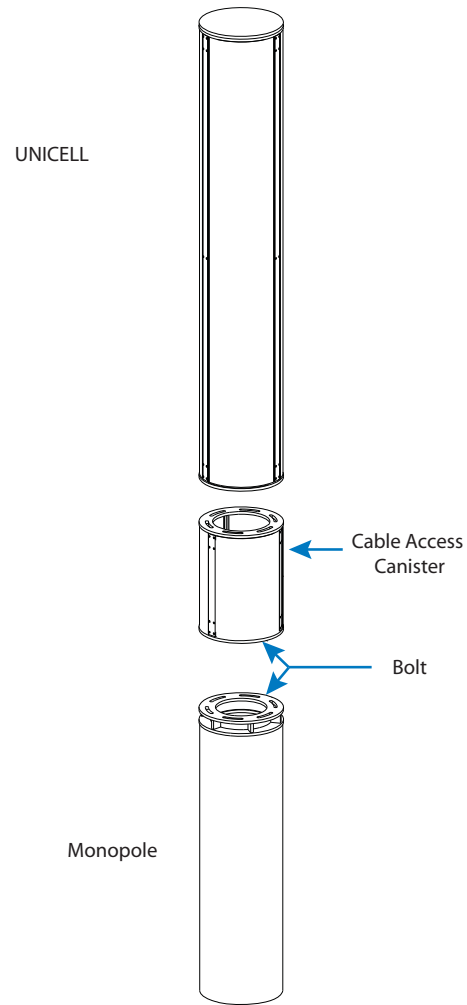
Mounting Mast

Interface flange welded to a 10-ft (3048 mm) mast pipe. The assembly is hot-dip galvanized for corrosion protection. Custom mast lengths are available upon request.



Cable Access Canister

Same diameter and appearance as the UNICELL structure. Steel construction with sections of UNICELL radome material to hide feed cable and jumpers. Three large openings provide easy access to the feed cables for installation and weatherproofing.



Mounting Mast	Use With	Pipe Diameter	Weight
UNX14-M-120	UNICELL	88.9 mm 3.5 in	59.1 kg 130 lbs
UNX20-M-120	UNICELL	101.6 mm 4.0 in	61.4 kg 135 lbs
D3X-M-120	UNICELL	101.6 mm 4.0 in	60.3 kg 133 lbs

Cable Access Canister	Use With	Diameter
UNX14-C	UNICELL	356 mm 14 in
UNX20-C	UNICELL	508 mm 20 in



Quoted performance parameters are provided to offer typical, peak or range values only and may vary as a result of normal testing, manufacturing and operational conditions. Extreme operational conditions and/or stress on structural supports is beyond our control. Such conditions may result in damage to this product. Improvements to products may be made without notice.