

7825100

Multi Band | Omni | V-Pol | 360° | 2.5 dBi | Fixed Tilt

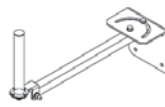
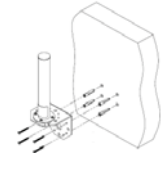
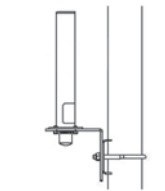
- Multi band, V-Pol, fixed tilt, omni antenna
- Various mounting kits available for ceiling, wall or pole mounting

Electrical Characteristics		
Frequency Band		800-2700 MHz
Polarization		Vertical
Horizontal Beamwidth		Omnidirectional
Vertical Beamwidth		50°
Gain		2.5 dBi
Impedance		50Ω
VSWR	800-960 MHz	< 1.8:1
	960-1710 MHz	< 2.5:1
	1710-2700 MHz	< 1.8:1
Input Power		50W
Total Number of Connectors		Antenna has 1 connector located at the bottom
Connectors Per Band, Type, Location	800-2700 MHz	1 Connector / N-Type Female / Bottom
IP Rating		IP65

Mechanical Characteristics		
Radome Color		White
Dimensions (Length x Diameter)	180 x Ø30 mm	7.1 x Ø1.2 in
Dimensions with Connector (L x D)	209 x Ø30 mm	8.2 x Ø1.2 in
Weight	0.12 kg	0.26 lbs
Wind Load (160 km/hr or 100 mph)	11 N	2.5 lbf

Mounting Characteristics
 All mounting bracket kits are ordered separately unless otherwise indicated. Select from the options listed below.

Mounting interface is four Ø3.4 mm (0.1 in) holes equally spaced on a Ø41 mm (1.6 in) bolt circle

Select from the following Mounting Options:	Part Number	Image	Attach to Pipe Diameter	Weight
Universal Wall / Ceiling Mounting Kit	505-173-5-003		---	2.7 kg 6 lbs
Wall Mounting Kit	XSL9254316		---	0.5 kg 1.1 lbs
Wall or Pole Mounting Kit	XSL9254317		30-53 mm 1.2-2.0 in	0.5 kg 1.1 lbs



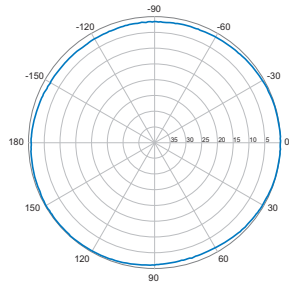
This model is available in the iBwave In-Building Network Components Database - www.ibwavecomponents.com

Quoted performance parameters are provided to offer typical, peak or range values only and may vary as a result of normal testing, manufacturing and operational conditions. Extreme operational conditions and/or stress on structural supports is beyond our control. Such conditions may result in damage to this product. Improvements to products may be made without notice.

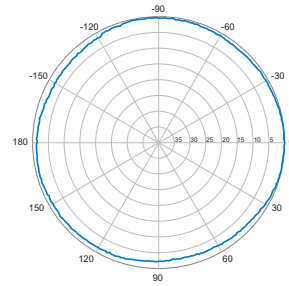
7825100

Multi Band | Omni | V-Pol | 360° | 2.5 dBi | Fixed Tilt

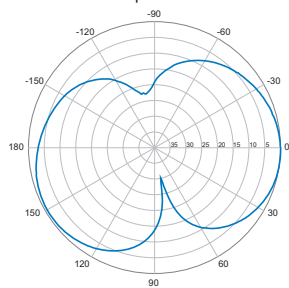
800-2700 MHz



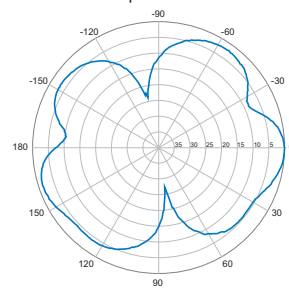
Horizontal | 800-960 MHz



Horizontal | 1710-2700 MHz



0° | Vertical | 800-960 MHz



0° | Vertical | 1710-2700 MHz

Quoted performance parameters are provided to offer typical, peak or range values only and may vary as a result of normal testing, manufacturing and operational conditions. Extreme operational conditions and/or stress on structural supports is beyond our control. Such conditions may result in damage to this product. Improvements to products may be made without notice.