

CUX033X03Fxyz0

DUAL BAND | 4-PORT | PANEL ANTENNA | XX-POL | 33° / 33° | 10.0 / 11.0 DBI | FIXED TILT

- Dual band, fixed tilt panel antenna, 4 connectors
- Ultra-wide band performance
- Ideal solution for Small Cell applications



Connector Description

The antenna has 4 connectors located on the back, each marked with a colored ring.

Low Band	696-960 MHz	Red Markings	 (2x) 4.3/10 or 7/16-DIN Female
High Band	1695-2700 MHz	Yellow Markings	 (2x) 4.3/10 or 7/16-DIN Female

Electrical Characteristics	Low Band		High Band			
	696-960 MHz		1695-2700 MHz			
Frequency Bands (MHz)	696-806	806-960	1695-1880	1850-1990	1900-2170	2200-2700
Polarization	±45°		±45°			
Horizontal Beamwidth	33°	35°	37°	35°	35°	33°
Vertical Beamwidth	60°	65°	67°	65°	65°	63°
Gain	9.5 dBi	10.0 dBi	10.0 dBi	10.5 dBi	10.5 dBi	11.0 dBi
Electrical Downtilt (°)	(x) 0		(y) 0			
Impedance	50Ω		50Ω			
VSWR	≤ 1.5:1		≤ 1.5:1			
Front-to-Back Ratio	> 30 dB		> 30 dB			
In-Band Isolation	> 22 dB		> 22 dB			
Isolation Between Ports	> 25 dB		> 35 dB			
IM3 (2x20W carrier)	< -153 dBc		< -153 dBc			
Input Power	(2x) 500 W		(2x) 300 W			
Diplexed	No					
Lightning Protection	Direct Ground					
Operating Temperature	-40° to +60° C (-40° to +140° F)					

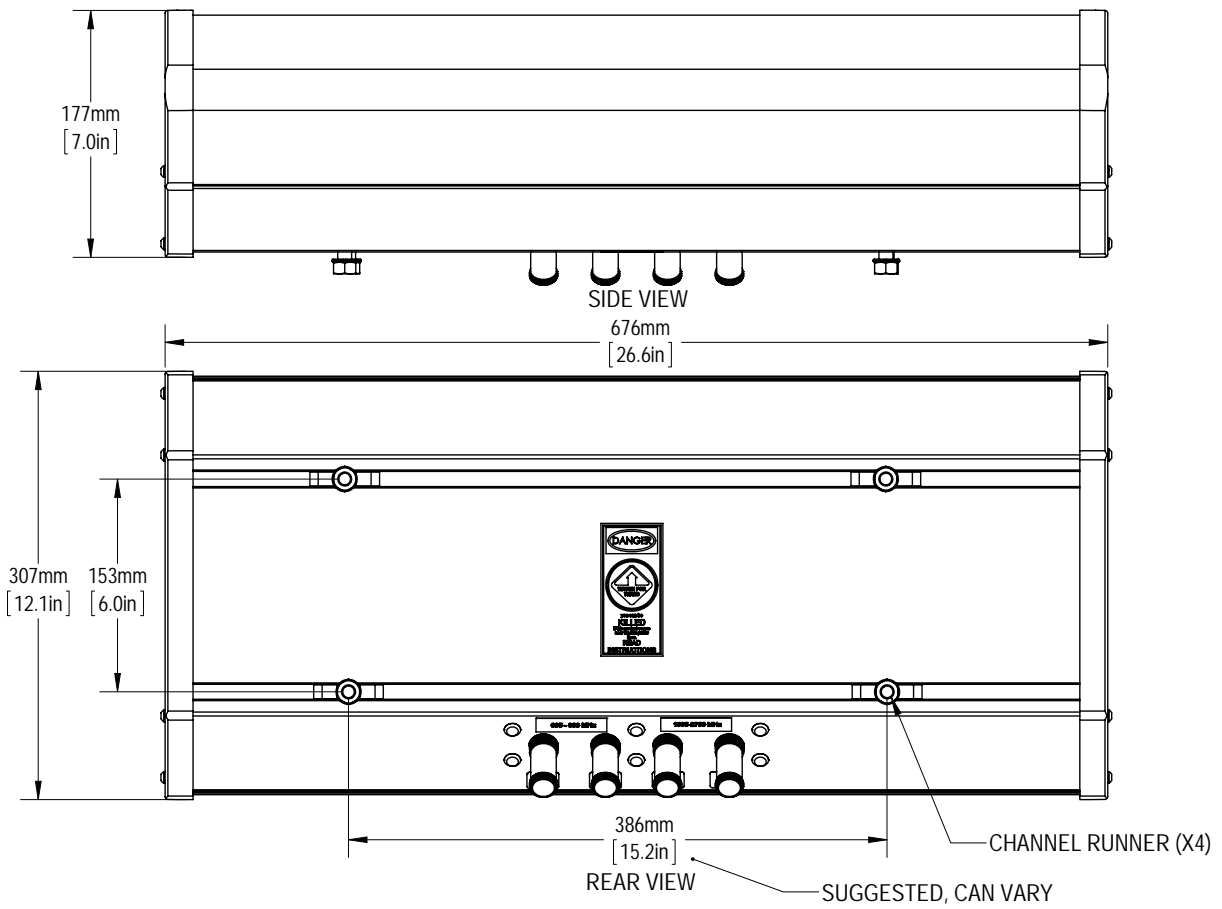
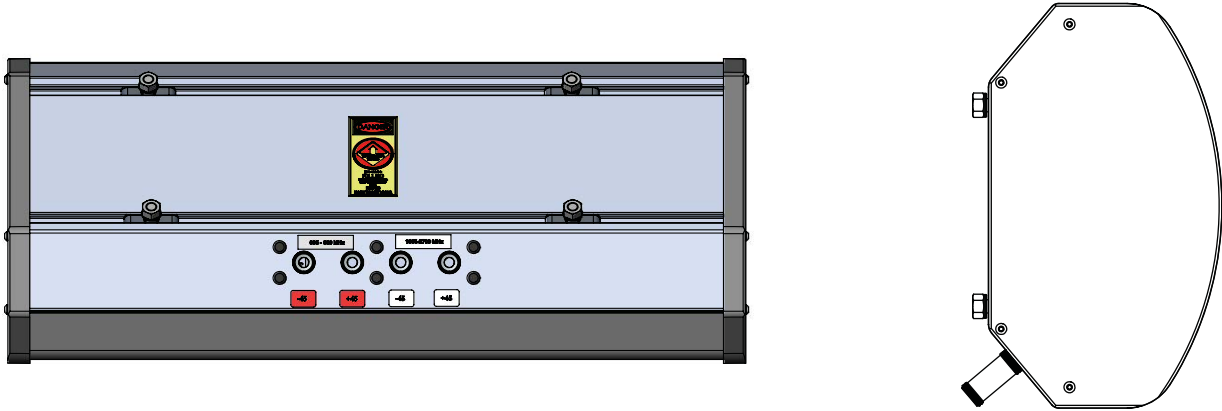
Mechanical Characteristics

Dimensions (Height x Width x Diameter)	307 x 676 x 177 mm		12.1 x 26.6 x 7.0 in	
Weight without Mounting Brackets	5.5 kg		12.1 lbs	
Survival Wind Speed	201 km/hr		125 mph	
Wind Load	Front	267 N	60 lbf	
	Side	80 N	18 lbf	

Quoted performance parameters are provided to offer typical, peak or range values only and may vary as a result of normal testing, manufacturing and operational conditions. Extreme operational conditions and/or stress on structural supports is beyond our control. Such conditions may result in damage to this product. Improvements to products may be made without notice.

CUX033X03Fxyz0

DUAL BAND | 4-PORT | PANEL ANTENNA | XX-POL | 33° / 33° | 10.0 / 11.0 DBI | FIXED TILT

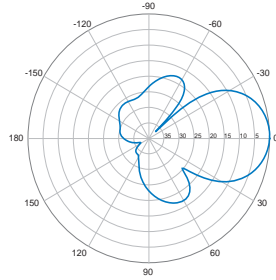


Quoted performance parameters are provided to offer typical, peak or range values only and may vary as a result of normal testing, manufacturing and operational conditions. Extreme operational conditions and/or stress on structural supports is beyond our control. Such conditions may result in damage to this product. Improvements to products may be made without notice.

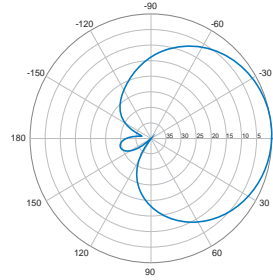
CUX033X03Fxyz0

DUAL BAND | 4-PORT | PANEL ANTENNA | XX-POL | 33° / 33° | 10.0 / 11.0 DBI | FIXED TILT

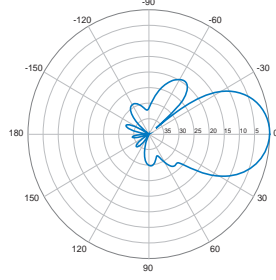
696-960 MHz



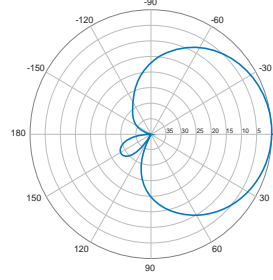
Horizontal | 750 MHz



Vertical | 0° | 750 MHz

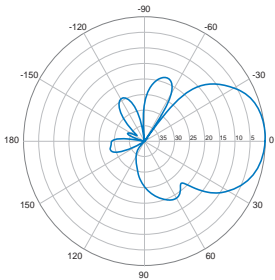


Horizontal | 850 MHz

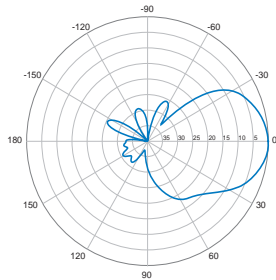


Vertical | 0° | 850 MHz

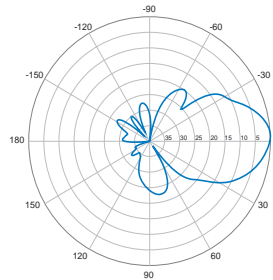
1695-2700 MHz



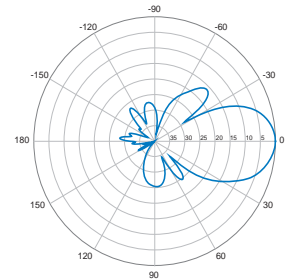
Horizontal | 1800 MHz



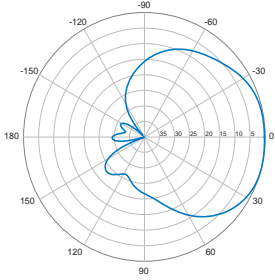
Horizontal | 1900 MHz



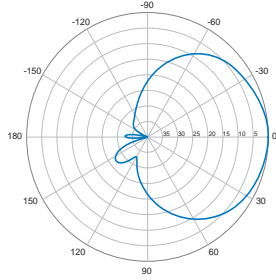
Horizontal | 2100 MHz



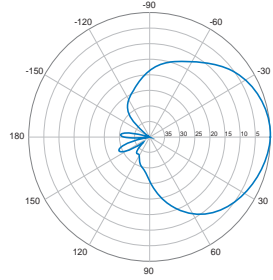
Horizontal | 2600 MHz



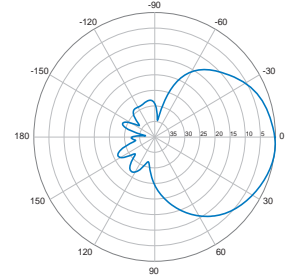
Vertical | 0° | 1800 MHz



Vertical | 0° | 1900 MHz



Vertical | 0° | 2100 MHz

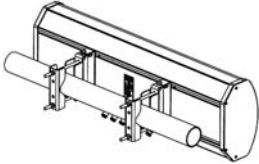
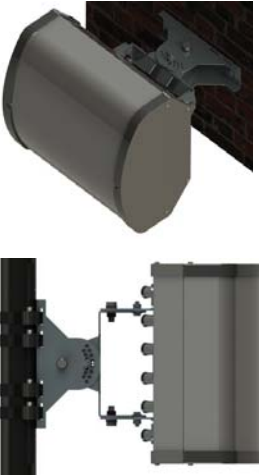



Vertical | 0° | 2600 MHz

Quoted performance parameters are provided to offer typical, peak or range values only and may vary as a result of normal testing, manufacturing and operational conditions. Extreme operational conditions and/or stress on structural supports is beyond our control. Such conditions may result in damage to this product. Improvements to products may be made without notice.

CUX033X03Fxyz0

DUAL BAND | 4-PORT | PANEL ANTENNA | XX-POL | 33° / 33° | 10.0 / 11.0 DBI | FIXED TILT

Mounting Options	Part Number	Image	Fits Pipe Diameter	Weight
<p>2-Point Pole Mounting Bracket Kit <i>(Included with CUX033X03Fxyz0-P)</i></p>	MKS09P01		50-115 mm 2.0-4.5 in	2.7 kg 6 lbs
<p>Continuous Adjustment "Stadium" Mounting Bracket Kit - Wall or Pole Mount <i>(Included with CUX033X03Fxyz0-S)</i></p> <p><i>Allows continuous adjustment of the azimuth and elevation; Straps for Pole Mounting are NOT included.</i></p>	11100010		50-203 mm 2.0-8.0 in	2.4 kg 5.4 lbs



The antenna shown in the images at left does not represent the CUX033X03Fxyz0. These are generic images used to illustrate the bracket kit.

Quoted performance parameters are provided to offer typical, peak or range values only and may vary as a result of normal testing, manufacturing and operational conditions. Extreme operational conditions and/or stress on structural supports is beyond our control. Such conditions may result in damage to this product. Improvements to products may be made without notice.

CUX033X03Fxyz0

DUAL BAND | 4-PORT | PANEL ANTENNA | XX-POL | 33° / 33° | 10.0 / 11.0 DBI | FIXED TILT

Ordering Options

When ordering, select the Electrical Downtilt (**xy**), the Connector Type (**z**) and the Mounting Option.

Electrical Downtilt Degree (°)	Low Band	replace "x" with one of the following options:	0
	High Band	replace "y" with one of the following options:	0

Mounting Option		Connector Type (z)	
		4.3/10 Female	7/16-DIN Female
No Mounting - Antenna Only	---	CUX033X03Fxyz0	CUX033X03FxyD0
2-Point Pole Mounting Bracket Kit	MKS09P01	CUX033X03Fxyz0-P	CUX033X03FxyD0-P
Continuous Adjustment "Stadium" Mounting Bracket Kit	11100010	CUX033X03Fxyz0-S	CUX033X03FxyD0-S

Quoted performance parameters are provided to offer typical, peak or range values only and may vary as a result of normal testing, manufacturing and operational conditions. Extreme operational conditions and/or stress on structural supports is beyond our control. Such conditions may result in damage to this product. Improvements to products may be made without notice.