

## CUUX033X03Fxyz0

Tri Band | Hex Port | Panel Antenna | XXX-Pol | 33° / 33° / 33° | 10.0 / 11.0 / 11.0 dBi | Fixed Tilt

- Tri band, hex-port panel antenna with fixed electrical tilt
- Available with continuous adjustment “stadium” mounting option for azimuth and elevation adjustment



Ordering Options				
Option A: Mounting Kit and Connector Type	Mounting Kit Options	Connector Type (z)	Model Number	Includes Mounting Kit
The CUUX033X03Fxyz0 can be ordered with or without a mounting kit and three different connector options.	Antenna only, no mounting kit	(m) 4.1/9.5 Mini-DIN Female	CUUX033X03Fxym0	---
		(s) 4.3/10 Female	CUUX033X03Fxsy0	
		(D) 7/16 DIN Female	CUUX033X03FxyD0	
Select from the Mounting Kit and Connector options shown at right.	with 2-Point Pole Mounting Bracket Kit	(m) 4.1/9.5 Mini-DIN Female	CUUX033X03Fxym0-P	MKS09P01
		(s) 4.3/10 Female	CUUX033X03Fxsy0-P	
		(D) 7/16 DIN Female	CUUX033X03FxyD0-P	
	with Continuous Adjustment “Stadium” Mounting Bracket Kit	(m) 4.1/9.5 Mini-DIN Female	CUUX033X03Fxym0-S	11100010
		(s) 4.3/10 Female	CUUX033X03Fxsy0-S	
		(D) 7/16 DIN Female	CUUX033X03FxyD0-S	

### Option B: Electrical Downtilt (xy)

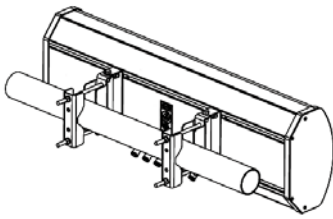
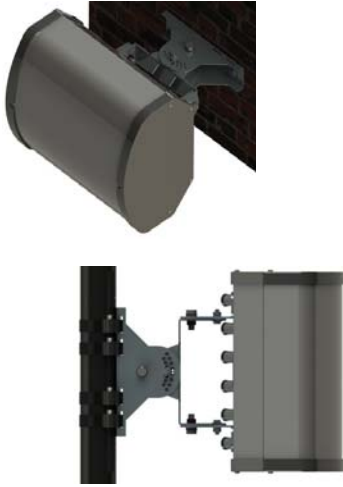
The CUUX033X03Fxyz0 can be ordered with a variety of different fixed Electrical Downtilt configurations. When ordering, replace the “x” in the model number with the value of electrical downtilt for the 696-960 MHz frequency and replace the “y” in the model number with the value of electrical downtilt for the 1695-2700 MHz range. Select from the options listed below under Electrical Downtilt.

Electrical Characteristics	696-960 MHz		(2x) 1695-2700 MHz			
Frequency Bands (MHz)	696-806	806-960	1695-1880	1850-1990	1900-2170	2200-2700
Polarization	±45°		(2x) ±45°			
Horizontal Beamwidth	33°	35°	37°	35°	35°	33°
Vertical Beamwidth	60°	65°	67°	65°	65°	63°
Gain	9.5 dBi	10.0 dBi	10.0 dBi	10.5 dBi	10.5 dBi	11.0 dBi
Electrical Downtilt	(x) 0°		(y) 0°			
Impedance	50Ω		50Ω			
VSWR	< 1.5:1		< 1.5:1			
Front-to-Back Ratio	> 30 dB		> 30 dB			
In-Band Isolation	> 22 dB		> 22 dB			
Isolation Between Ports	> 25 dB		> 35 dB			
IM3 (2x20W carrier)	< -153 dBc		< -153 dBc			
Input Power	(2x) 500 W		(4x) 300 W			
Total Number of Connectors	Antenna has 6 connectors located on the back of the antenna					
Connectors Per Band	696-960 MHz	(2x) 4.1/9.5 Mini-DIN Female or 4.3/10 Female or 7/16-DIN Female				
	1695-2700 MHz	(2x) 4.1/9.5 Mini-DIN Female or 4.3/10 Female or 7/16-DIN Female				
	1695-2700 MHz	(2x) 4.1/9.5 Mini-DIN Female or 4.3/10 Female or 7/16-DIN Female				
Diplexed	No					
Lightning Protection	Direct Ground					
Operating Temperature	-40° to +60° C (-40° to +140° F)					

Quoted performance parameters are provided to offer typical, peak or range values only and may vary as a result of normal testing, manufacturing and operational conditions. Extreme operational conditions and/or stress on structural supports is beyond our control. Such conditions may result in damage to this product. Improvements to products may be made without notice.

# CUUX033X03Fxyz0

Tri Band | Hex Port | Panel Antenna | XXX-Pol | 33° / 33° / 33° | 10.0 / 11.0 / 11.0 dBi | Fixed Tilt

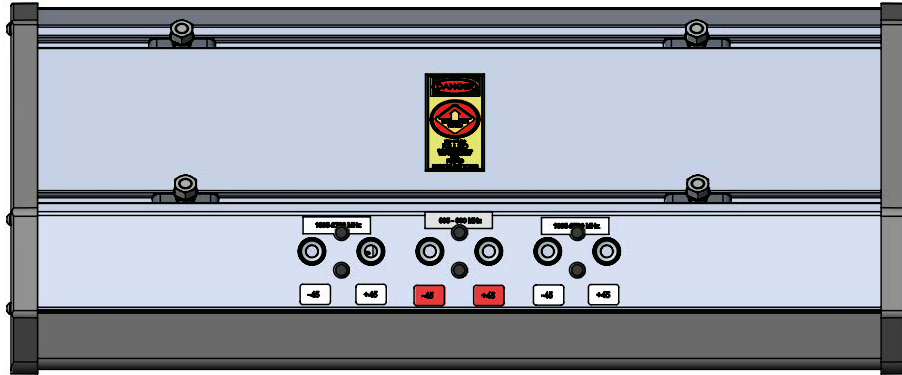
Mechanical Characteristics				
Dimensions (Length x Width x Depth)		307 x 676 x 177 mm		12.1 x 26.6 x 7.0 in
Weight without Mounting Brackets		5.9 kg		12.9 lbs
Survival Wind Speed		201 km/hr		125 mph
Wind Loads (160 km/hr or 100 mph)	Front	267 N		60 lbf
	Side	80 N		18 lbf
Mounting Options	Part Number	Image	Fits Pipe Diameter	Weight
<p>This antenna can be mounted using either of the following mounting kits. Mounting kits can be ordered as a separate line item with model number CUUX033X03Fxyz0 or can be included with the antenna as a single line item. See Ordering Options (page 1) for details.</p>				
2-Point Pole Mounting Bracket Kit <i>(Included with CUUX033X03Fxyz0-P)</i>	MKS09P01		50-115 mm 2.0-4.5 in	2.7 kg 6 lbs
Continuous Adjustment "Stadium" Mounting Bracket Kit - Wall or Pole Mount <i>(Included with CUUX033X03Fxyz0-S)</i>  <i>Allows continuous adjustment of the azimuth and elevation; Straps for Pole Mounting are NOT included.</i>	11100010		50-203 mm 2.0-8.0 in	2.4 kg 5.4 lbs

Quoted performance parameters are provided to offer typical, peak or range values only and may vary as a result of normal testing, manufacturing and operational conditions. Extreme operational conditions and/or stress on structural supports is beyond our control. Such conditions may result in damage to this product. Improvements to products may be made without notice.

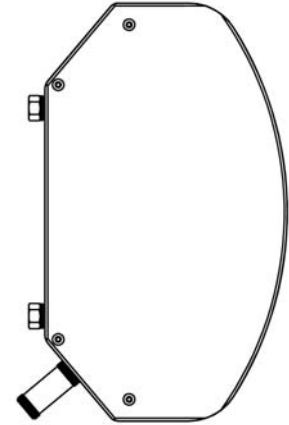
CUUX033X03Fxyz0

Tri Band | Hex Port | Panel Antenna | XXX-Pol | 33° / 33° / 33° | 10.0 / 11.0 / 11.0 dBi | Fixed Tilt

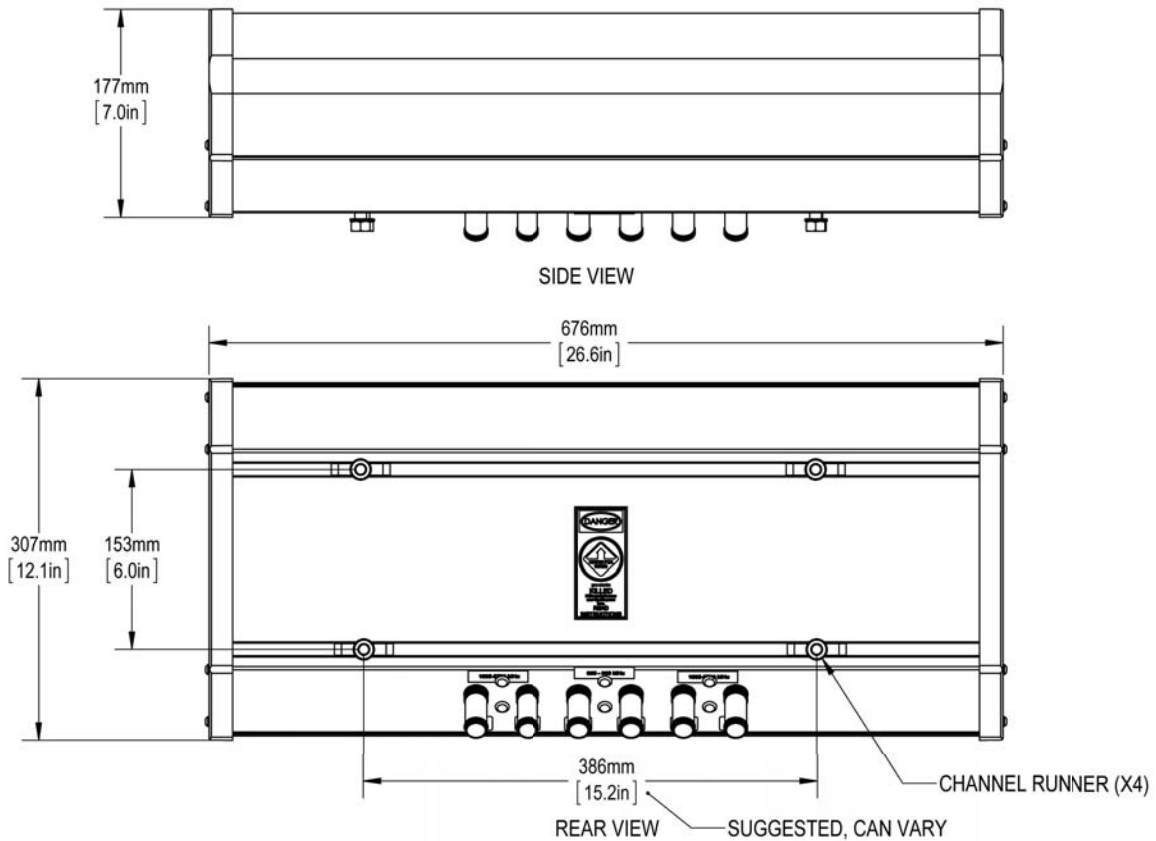
Connector (Back) View of Antenna



Side View of Antenna



Dimensions

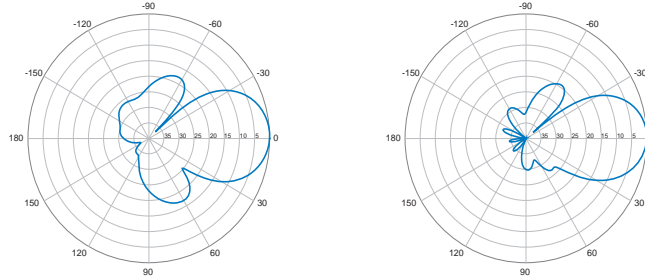


Quoted performance parameters are provided to offer typical, peak or range values only and may vary as a result of normal testing, manufacturing and operational conditions. Extreme operational conditions and/or stress on structural supports is beyond our control. Such conditions may result in damage to this product. Improvements to products may be made without notice.

CUUX033X03Fxyz0

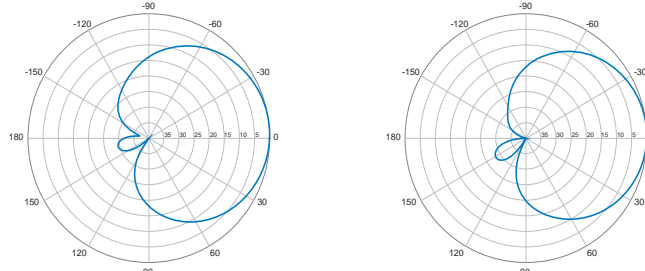
Tri Band | Hex Port | Panel Antenna | XXX-Pol | 33° / 33° / 33° | 10.0 / 11.0 / 11.0 dBi | Fixed Tilt

696-960 MHz



Horizontal | 750 MHz

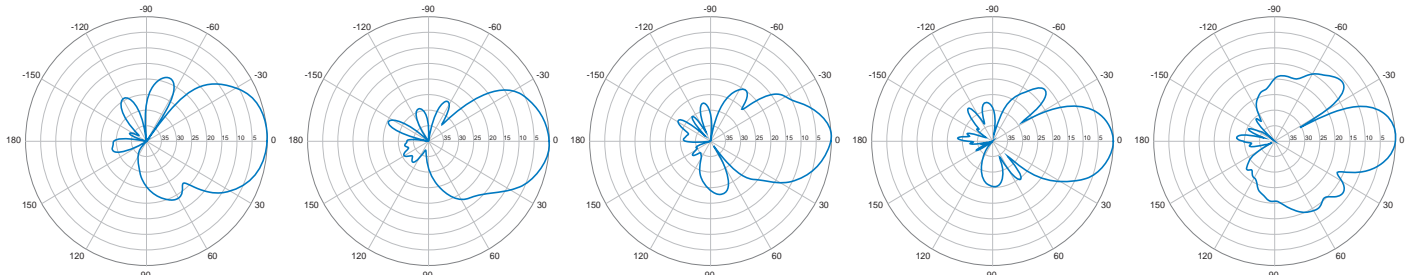
Horizontal | 850 MHz



Vertical | 0° | 750 MHz

Vertical | 0° | 850 MHz

1695-2700 MHz



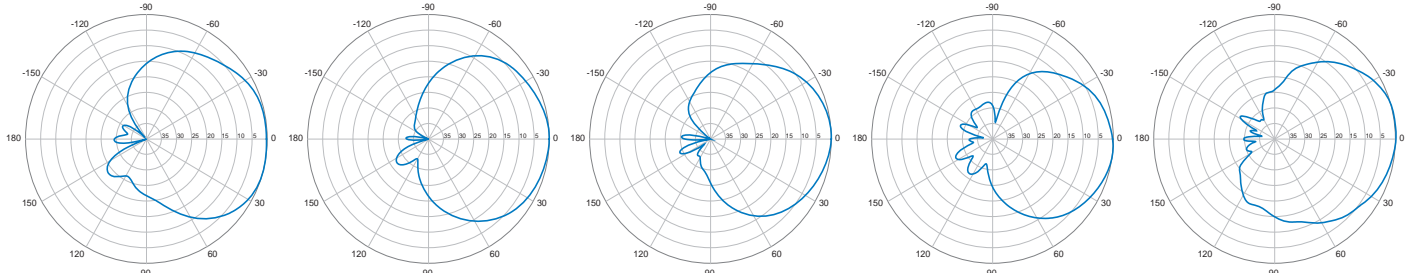
Horizontal | 1800 MHz

Horizontal | 1900 MHz

Horizontal | 2100 MHz

Horizontal | 2400 MHz

Horizontal | 2700 MHz



Vertical | 0° | 1800 MHz

Vertical | 0° | 1900 MHz

Vertical | 0° | 2100 MHz

Vertical | 0° | 2400 MHz

Vertical | 0° | 2700 MHz

Quoted performance parameters are provided to offer typical, peak or range values only and may vary as a result of normal testing, manufacturing and operational conditions. Extreme operational conditions and/or stress on structural supports is beyond our control. Such conditions may result in damage to this product. Improvements to products may be made without notice.