

UNX20-AZ

Installation Instructions

Adjustable Azimuth Mounting Kit for UNICELL Structure

Step 1 -

Attach upper antenna mounting bracket to the top of the antenna using channel runners as shown, leaving approximately 2.0 inches between top end cap and bracket.

Step 2 -

Attach azimuth reference bracket to upper antenna mounting bracket using 3/8-16 hardware as shown. Do not tighten at this time.

Step 3 -

Determine appropriate location for mounting the lower antenna mounting assembly and secure to the UNICELL structure using 3/8-16 hardware as shown.

Step 4 -

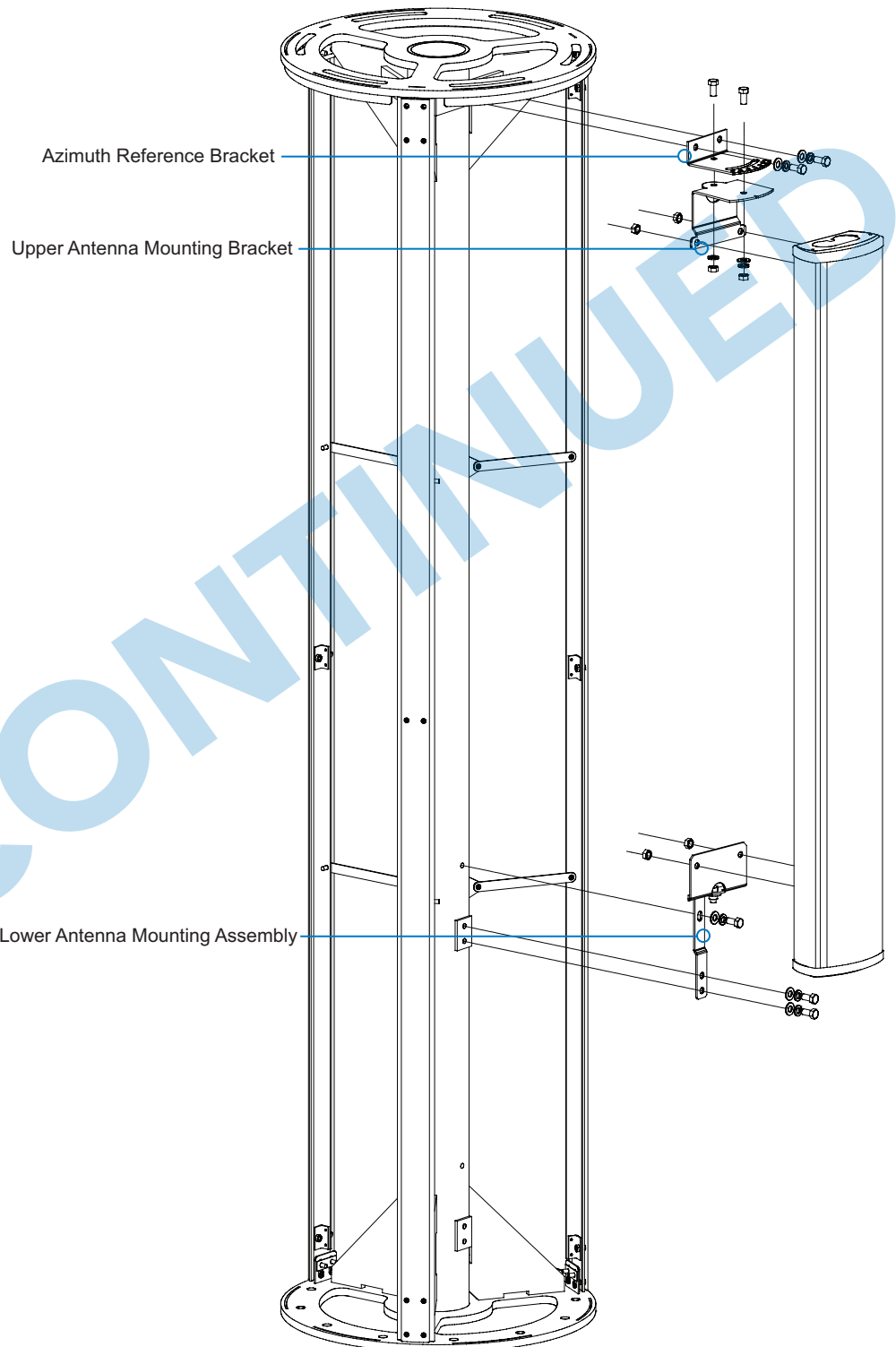
Attach the new assembly to the UNICELL structure by fastening the azimuth reference bracket to the upper mounting position using the 3/18-16 hardware as shown.

Step 5 -

Attach the antenna to the lower mounting bracket using the channel runners provided.

Step 6 -

Orient the antenna to the desired azimuth heading and tighten the hardware left loose in Step 2.



Quoted performance parameters are provided to offer typical or range values only and may vary as a result of normal manufacturing and operational conditions. Extreme operational conditions and/or stress on structural supports is beyond our control. Such conditions may result in damage to this product. Improvements to product may be made without notice.