

DPX-21x

Diplexer | 700/850 | Single and Twin Units | Indoor / Outdoor

- Combines the 700 and 850 bands into a single output
- Usable at the BTS or antenna end
- Built in lightning protection on all ports
- Available as single or twin unit, with various DC/AISG bypass configurations
- Suitable for indoor or outdoor applications
- Pole or wall mounting

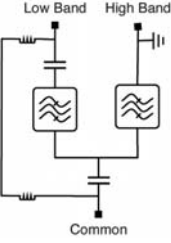
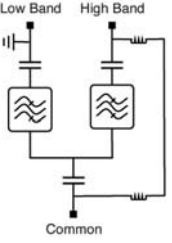
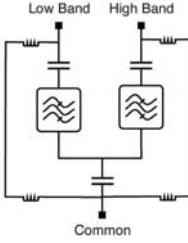
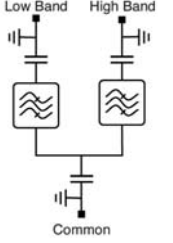


Ordering Options	Single Unit	Twin Unit
When ordering replace "x" with correct option for bypass configuration and single or twin unit.		
DC/AISG bypass 700 low band	DPX-216	DPX-217
DC/AISG bypass 850 high band	DPX-214	DPX-215
Full DC/AISG bypass	DPX-212	DPX-213
No DC/AISG bypass (all ports DC grounded)	DPX-210	DPX-211
Electrical Characteristics		
700 Channel (Low Band)		
Frequency Band	698-803 MHz	
Insertion Loss	< 0.25 dB	
Return Loss (typical)	> 20 dB	
Rejection, 824-894 MHz	> 50 dB	
Continuous Average Power	250 W	
Intermodulation, 2x43 dBm TX Carrier	-116 dBm	
850 Channel (High Band)		
Frequency Band	824-894 MHz	
Insertion Loss	< 0.25 dB	
Return Loss (typical)	> 20 dB	
Rejection, 698-803 MHz	> 50 dB	
Continuous Average Power	250 W	
Intermodulation, 2x43 dBm TX Carrier	-116 dBm	
General		
Impedance	50 Ω	
DC Bypass Rating	3 A	
DC/AISG Pass	Yes, ports that do not bypass DC/AISG are DC grounded	
All performances are expressed for all ports terminated with 50 Ω loads.		
Environmental		
Temperature Range	-40° to +65° C	-40° to +149° F
Ingress Protection	IP67	
Lightning Protection	5 kA 8/20 μs	
Operation Compliance	ETS 300 019-1-4	
Storage Compliance	ETS 300 019-1-1	
Mechanical Characteristics		
Finish	Light Grey (NCS 1502-R)	
Connectors	3 Ports / 7-16 Long Neck / Female	
Dimensions - Single Unit (H x W x D)	175 x 170 x 80 mm	6.9 x 6.7 x 3.1 in
Weight - Single Unit	4.0 kg	8.8 lbs
Mounting Options		
	Description	Fits Pipe Diameter
Pole / Wall Bracket	Two metal clamps for pole mount included	45-115 mm 1.8-4.5 in

Quoted performance parameters are provided to offer typical or range values only and may vary as a result of normal manufacturing and operational conditions. Extreme operational conditions and/or stress on structural supports is beyond our control. Such conditions may result in damage to this product. Improvements to product may be made without notice.

DPX-21x

Diplexer | 700/850 | Single and Twin Units | Indoor / Outdoor

Electrical Block Diagrams			
DC/AISG Bypass Low Band	DC/AISG Bypass High Band	Full DC/AISG Bypass	No DC/AISG Bypass
			

Quoted performance parameters are provided to offer typical or range values only and may vary as a result of normal manufacturing and operational conditions. Extreme operational conditions and/or stress on structural supports is beyond our control. Such conditions may result in damage to this product. Improvements to product may be made without notice.