

7824400

Multi Band | Microcell Panel | X-Pol | 80° / 70° | 7.0 / 11.5 dBi

- Long body N-Type connectors to enable weather proofing
- Optional mounting systems available for wall or pole
- 7824500 model includes over-shroud



Electrical Characteristics		
Frequency Band	690-960 MHz	1710-2700 MHz
Polarization	±45°	
Horizontal Beamwidth	80°	70°
Vertical Beamwidth	75°	23.5°
Gain	7.0 dBi	11.5 dBi
Impedance	50Ω	
VSWR	< 2:1 max	
Inter-Port Isolation (Tx Bands)	≥ 20 dB	≥ 25 dB
Passive Intermodulation (2x20W)	< -153 dBc	
Front-to-Back Ratio	> 18 dB	
Input Power (Per Port)	100 W	
Connectors, Type, Location	2 / N-Type Female / Bottom	



This model is available in the iBwave In-Building Network Components Database - www.ibwavecomponents.com

Mechanical Characteristics		
Radome Color	White	
Dimensions (Height x Width x Depth)	296 x 230 x 112 mm	11.7 x 9.1 x 4.4 in
Weight without Mounting Brackets	1.6 kg	3.5 lbs
Wind Load @ 160 km/hr (100 mph)	75 N	16.9 lbf

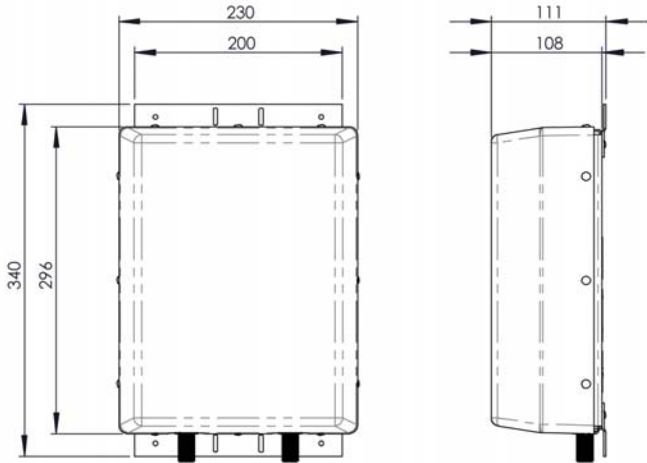
Mounting Options	
Mounting Interface	Plate top and bottom. Comes complete with wall fixings.
Over-Shroud for safety compliance	XSL9254929 (Included with 7824500 model)
Over-Shroud Colour	Grey (RAL7035)

Quoted performance parameters are provided to offer typical, peak or range values only and may vary as a result of normal testing, manufacturing and operational conditions. Extreme operational conditions and/or stress on structural supports is beyond our control. Such conditions may result in damage to this product. Improvements to products may be made without notice.

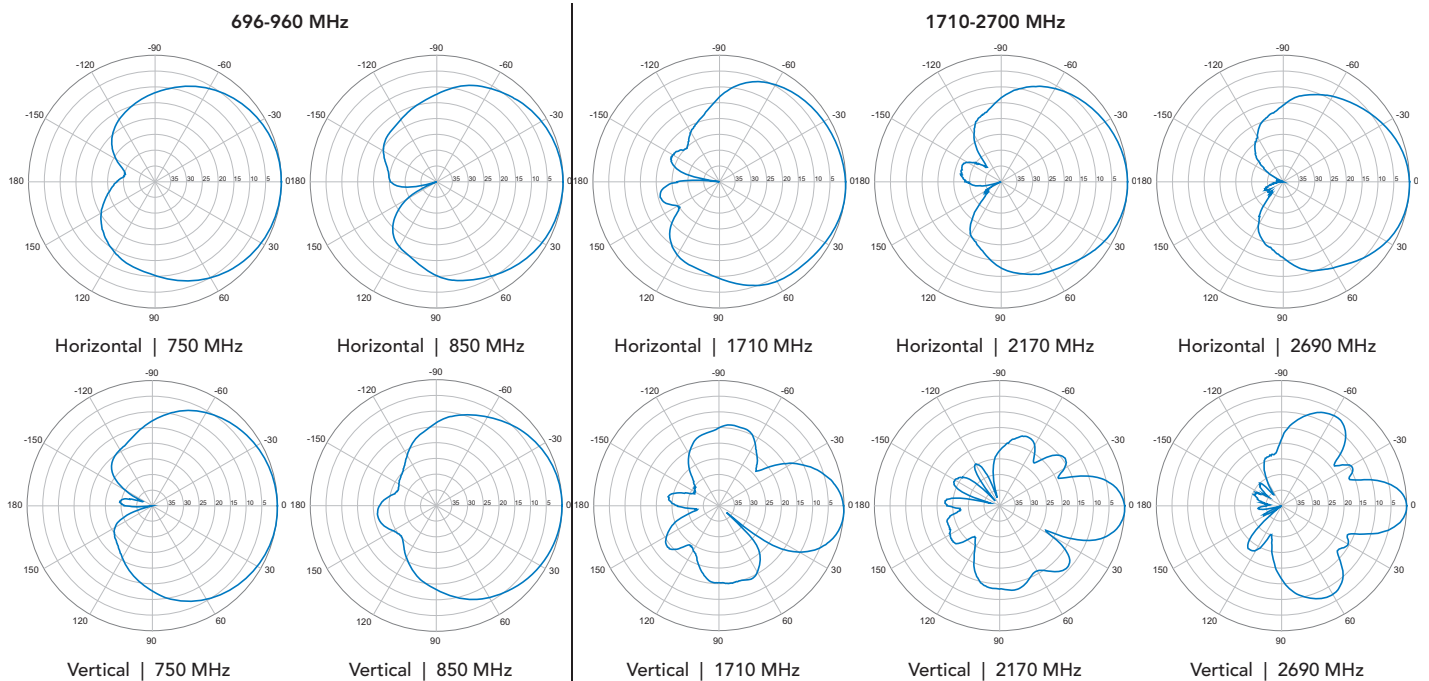
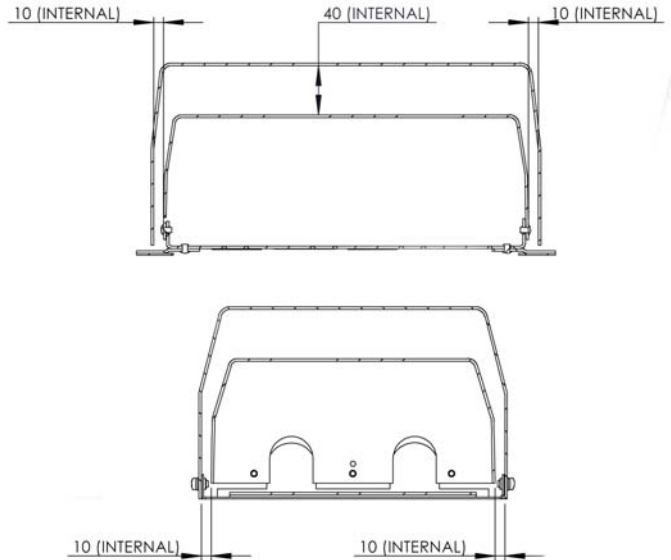
7824400

Multi Band | Microcell Panel | X-Pol | 80° / 70° | 7.0 / 11.5 dBi

Dimensions (mm)



Gap Measurement Between Antenna and Over-Shroud (mm)



Quoted performance parameters are provided to offer typical, peak or range values only and may vary as a result of normal testing, manufacturing and operational conditions. Extreme operational conditions and/or stress on structural supports is beyond our control. Such conditions may result in damage to this product. Improvements to products may be made without notice.