

DPX-19x

Diplexer | 698-960 MHz/1695-2690 MHz | Single and Twin Units | Indoor / Outdoor

- Combines the 698-960 MHz and 1695-2690 MHz bands into a single output
- Usable at the BTS or antenna end
- Built in lightning protection on all ports
- Available as single or twin unit, with various DC/AISG bypass configurations
- Suitable for indoor or outdoor applications
- Pole or wall mounting

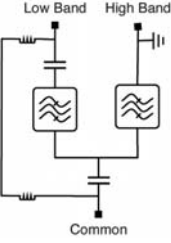
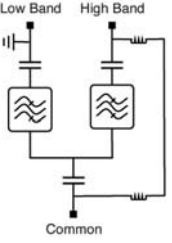
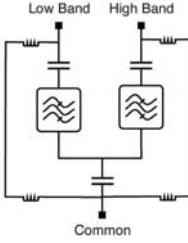
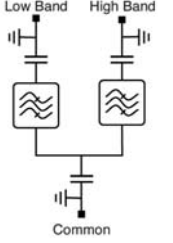


Ordering Options	Single Unit	Twin Unit
When ordering replace "x" with correct option for bypass configuration and single or twin unit.		
DC/AISG bypass 698-960 MHz band	DPX-196	DPX-197
DC/AISG bypass 1695-2690 MHz band	DPX-194	DPX-195
Full DC/AISG bypass	DPX-192	DPX-193
No DC/AISG bypass (all ports DC grounded)	DPX-190	DPX-191
DC/AISG bypass: COM to 698-960 MHz port on one unit, to the other port on the second unit	---	DPX-199
Electrical Characteristics		
698-960 MHz Channel (Low Band)		
Frequency Band	698-960 MHz	
Insertion Loss (typical)	< 0.2 dB	
Return Loss	> 18 dB	
Rejection	50 dB	
Continuous Average Power	250 W	
Intermodulation (IM3), 2x43 dBm TX Carrier	-117 dBm (-160 dBc)	
1695-2690 MHz Channel (High Band)		
Frequency Band	1695-2690 MHz	
Insertion Loss (typical)	< 0.2 dB	
Return Loss	> 18 dB	
Rejection	50 dB	
Continuous Average Power	250 W	
Intermodulation (IM3), 2x43 dBm TX Carrier	-117 dBm (-160 dBc)	
General		
Impedance	50 Ω	
DC Bypass Rating	3 A	
DC/AISG Pass	Yes, ports that do not bypass DC/AISG are DC grounded	
All performances are expressed for all ports terminated with 50 Ω loads.		
Environmental		
Temperature Range	-40° to +65° C	-40° to +149° F
Ingress Protection	IP67	
Lightning Protection	3 kA 10/350 μs, 20 kA 8/20 μs	
Operation Compliance	ETS 300 019-1-4	
Storage Compliance	ETS 300 019-1-1	
RoHS Compliant	Yes	
Mechanical Characteristics		
Finish	Light Grey (NCS 1502-R)	
Connectors	3 Ports / 7-16 Female	
Dimensions - Single Unit (H x W x D)	130 x 120 x 74 mm	5.1 x 4.7 x 2.9 in
Weight - Single Unit	2.1 kg	4.6 lbs
Mounting Options		
	Description	Fits Pipe Diameter
Pole / Wall Bracket	Two metal clamps for pole mount included	45-115 mm 1.8-4.5 in

Quoted performance parameters are provided to offer typical or range values only and may vary as a result of normal manufacturing and operational conditions. Extreme operational conditions and/or stress on structural supports is beyond our control. Such conditions may result in damage to this product. Improvements to product may be made without notice.

DPX-19x

Diplexer | 698-960 MHz/1695-2690 MHz | Single and Twin Units | Indoor / Outdoor

Electrical Block Diagrams			
DC/AISG Bypass Low Band	DC/AISG Bypass High Band	Full DC/AISG Bypass	No DC/AISG Bypass
			

Quoted performance parameters are provided to offer typical or range values only and may vary as a result of normal manufacturing and operational conditions. Extreme operational conditions and/or stress on structural supports is beyond our control. Such conditions may result in damage to this product. Improvements to product may be made without notice.