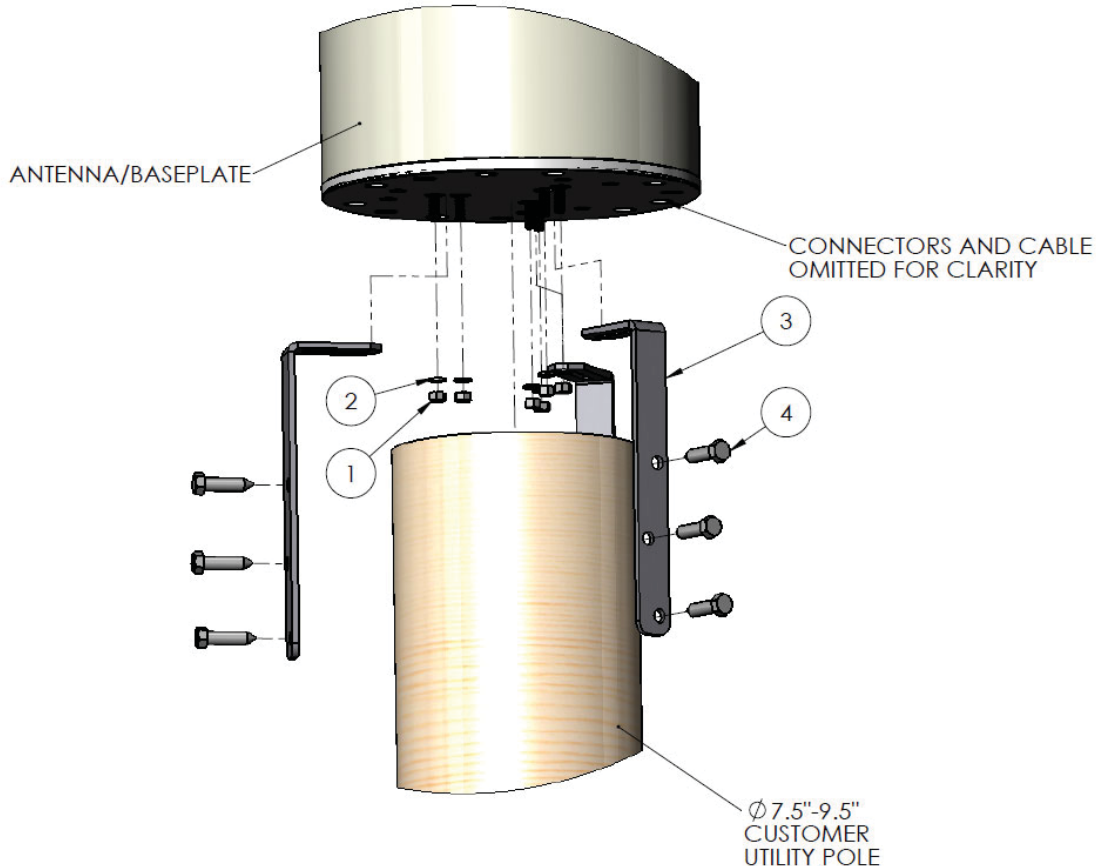
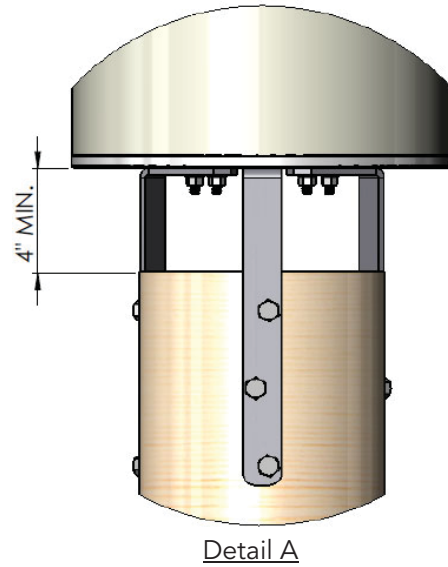


WB3X-MKS-01

Utility Pole Mounting Kit for Cylindrical Antennas

Mounting Instructions		
Step 1	Attach pole mount brackets (Item 3) to antenna/base plate using fasteners (Items 1 and 2). Tighten to 15 N-m (11 ft-lb).	
Step 2	Attach pole mount brackets (Item 3)/antenna assembly to customer utility pole using lag screws (Item 4).	
Step 3	Make all electrical connections weatherproof with self-amalgamating tape.	
Parts List	Description	Quantity
Item 1	Nut Hex, 3/8-16 HDG	6
Item 2	Lock Washer 3/8 HDG	6
Item 3	Pole Mount Bracket	3
Item 4	Galvanized Hex Lag Screw (1/2 x 2" Long)	9
Mechanical Characteristics		
Weight	2.7 kg (6 lbs)	



Quoted performance parameters are provided to offer typical or range values only and may vary as a result of normal manufacturing and operational conditions. Extreme operational conditions and/or stress on structural supports is beyond our control. Such conditions may result in damage to this product. Improvements to product may be made without notice.