

A 2-Dipole Cardioid antenna designed for the Digital Audio Broadcast (DAB) band. Good power rating is combined with excellent electrical performance and great mechanical strength making it suitable for severe conditions.

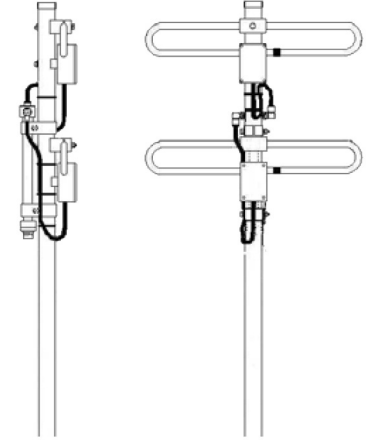
7482xxx

Replace "xxx" with desired model number option.

Linear or V-Pol | 2-Dipole Cardioid | 178° | 5.2 dBi

Electrical Characteristics

Frequency range	98.5..231 MHz	
Model number options (xxx)	Model Number 7482001 7482000 7482224 7482226 7482228	Frequency band 98.5-101.5 MHz 217-223 MHz 220-227 MHz 223-229 MHz 225-231 MHz
Polarization	Linear or Vertical	
Horizontal beamwidth (-3 dB)	178°	
Vertical beamwidth (-3 dB)	80°	
Gain	5.2 dBi	
Impedance	50Ω	
VSWR	<1.3:1 over specified band	
Front-to-back ratio	<30 dB	
Maximum power	500 W	
Connector type	7/16-DIN Female on phasing unit fixed to antenna boom	
Lightning protection	DC grounded	



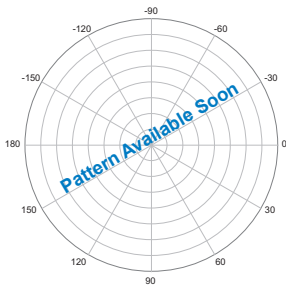
Mechanical Characteristics

Materials	Boom, 49 mm dia., aluminium scaffold Elements, 19 mm dia., drawn aluminium tube Baluns, epoxy potted, polyester enclosure		
Dimensions (Height x Width x Depth)	220 MHz: 1200 x 780 x 140 mm	47.2 x 30.7 x 5.5 in	
Weight without bracket	220 MHz: 8.0 kg	17.6 lbs	
Wind load @ 160 km/hr (100 mph)	220 MHz: 150 N	33.7 lbf	

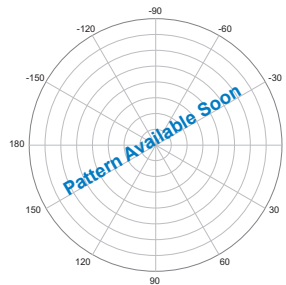
Mounting Options

Mounting bracket	0300064/00
Alternate mounting bracket	0300285/00

Please order Mounting Bracket separately.



Horizontal



Vertical

Quoted performance parameters are provided to offer typical or range values only and may vary as a result of normal manufacturing and operational conditions. Extreme operational conditions and/or stress on structural supports is beyond our control. Such conditions may result in damage to this product. Improvements to product may be made without notice.