

TTA-CLG100H

850 MHz | Compact Twin TMA | AISG v2.0 | Fixed Gain

- 850 MHz, compact twin TMA, AISG v2.0, fixed gain
- Increases coverage and capacity
- Helps to minimize site acquisition issues
- Reduces the cost of network expansion

**NO
IMAGE
AVAILABLE**

**COMING
SOON**

RF Characteristics	
Downlink (TX) Path	
Frequency Band	869-894 MHz
Insertion Loss (typical)	0.35 dB
Continuous Average Power (53 dBm)	200 W
Intermodulation (2x43 dBm TX carrier, BTS Port)	-116 dBm in TX band, ANT port
Uplink (RX) Path	
Frequency Band	824-849 MHz
Gain (nominal)	12 dB
Noise Figure (typical)	1.3 dB
Insertion Loss, Bypass Mode (typical)	1.5 dB
Output IP3 (typical)	25 dBm
Power Supply and Alarm - Current Window Alarm Mode	
DC Supply Voltage	9 to 15 V
Supply Current, Normal Operation	80-130 mA
Supply Current, Alarm Mode	170-180 mA
Power Supply and Alarm - AISG Mode	
Control Protocol	3GPP/AISG v2.0
DC Supply Voltage	9 to 30 V
Power Consumption	< 2 W
Environmental Characteristics	
Operating Temperature Range	-40° to +65° C (-40° to +149° F)
Operation	ETS 300 019-1-4
Storage	ETS 300 019-1-1
Ingress Protection	IP67
EMC	FCC Part 15
Safety Standards	EN60950
MTBF (minimum)	1.2 Mh/TMA



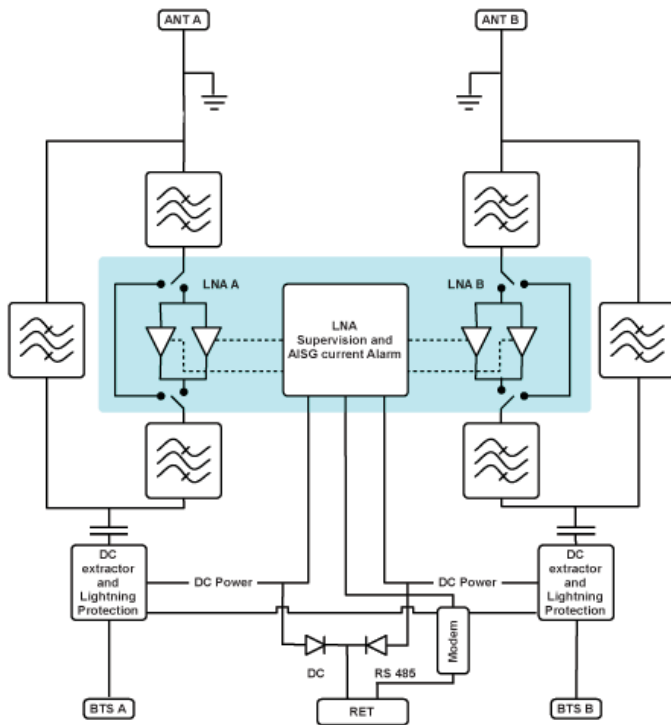
Quoted performance parameters are provided to offer typical or range values only and may vary as a result of normal manufacturing and operational conditions. Extreme operational conditions and/or stress on structural supports is beyond our control. Such conditions may result in damage to this product. Improvements to product may be made without notice.

TTA-CLG100H

850 MHz | Compact Twin TMA | AISG v2.0 | Fixed Gain

Mechanical Characteristics	
Dimensions - Length x Width x Depth	275 x 168 x 73 mm 10.8 x 6.6 x 2.9 in
Gross Weight	4.9 kg 10.8 lbs
Connectors (number, type)	BTS 2 / 7-16 Female / Long Neck
	ANT 2 / 7-16 Female / Long Neck
	AISG 1 / 8 pin circular
Color	NCS 1502-R
Mounting	Hose clamps, arbitrary orientation

Block Diagram



Quoted performance parameters are provided to offer typical or range values only and may vary as a result of normal manufacturing and operational conditions. Extreme operational conditions and/or stress on structural supports is beyond our control. Such conditions may result in damage to this product. Improvements to product may be made without notice.